

# UNDERVERK

GB

DE

FR

IT



Design and Quality  
IKEA of Sweden



<b>ENGLISH</b>	<b>4</b>
<b>DEUTSCH</b>	<b>17</b>
<b>FRANÇAIS</b>	<b>30</b>
<b>ITALIANO</b>	<b>48</b>



Please refer to the last page of this manual for the full list of IKEA appointed Authorized Service Centre and relative national phone number



Konsultieren Sie die letzte Seite dieser Bedienungsanleitung, auf der die vollständige Liste der nationalen autorisierten IKEA Kundendienststellen mit den entsprechenden Telefonnummern aufgelistet ist.



Consultez la dernière page de ce manuel contenant la liste complète des services Après-vente agréés IKEA avec les numéros de téléphone nationaux correspondants.





Consultare l'ultima pagina di questo manuale dove è riportato l'elenco completo dei Centri Assistenza IKEA Autorizzati con i relativi numeri telefonici nazionali.

## Contents

Safety information	4	Technical data	12
Product description	8	Energy efficiency	13
Care and cleaning	9	Environment concerns	14
What to do if...	11	IKEA GUARANTEE	14


## Safety information

 For your safety and correct operation of the appliance, read this manual carefully before installation and use. Always keep these instructions with the appliance even if you move or sell it. Users must fully know the operation and safety features of the appliance.


 The wire connection has to be done by specialized technician.

- The manufacturer will not be held liable for any damages resulting from incorrect or improper installation.
- The minimum safety distance between the cooker top and the extractor hood is: for electrical hob 500mm and for gas hob 650mm.
- If the instructions for installation for the gas hob specify a greater distance, this must be respected.
- Check that the mains voltage corresponds to that indicated on the rating plate fixed to the inside of the hood.
- Means for disconnection must be incorporated in the fixed wiring in accordance with the wiring rules.
- For Class I appliances, check that the domestic power supply guarantees adequate earthing.
- Connect the extractor to the exhaust flue through a pipe of minimum diameter 120 mm. The route of the flue must be as short as possible.
- Do not connect the extractor hood to exhaust ducts carrying combustion fumes (boilers, fireplaces, etc.).

- If the extractor is used in conjunction with non-electrical appliances (e.g. gas burning appliances), a sufficient degree of aeration must be guaranteed in the room in order to prevent the backflow of exhaust gas. When the cooker hood is used in conjunction with appliances supplied with energy other than electric, the negative pressure in the room must not exceed 0,04 mbar to prevent fumes being drawn back into the room by the cooker hood.
- The air must not be discharged into a flue that is used for exhausting fumes from appliances burning gas or other fuels.
- If the supply cord is damaged, it must be replaced from the manufacturer or its service agent.
- Connect the plug to a socket complying with current regulations, located in an accessible place.
- With regards to the technical and safety measures to be adopted for fume discharging it is important to closely follow the regulations provided by the local authorities.

 **WARNING:** Before installing the Hood, remove the protective films.


- Use only screws and small parts in support of the hood.

 **WARNING:** Failure to install the screws or fixing device in accordance with these instructions may result in electrical hazards.

- Connect the hood to the power net by using a bipolar switch having a contact gap of at least 3 mm.
- Do not look directly at the light through optical devices (binoculars, magnifying glasses...).
- Do not flambè under the range hood; risk of fire.
- This appliance can be used by children aged from 8 years and above and persons with reduced physical, sensory or mental capabilities or lack of experience and knowledge if they have been given supervision or instruction concerning

use of the appliance in a safe way and understand the hazards involved. Children shall not play with the appliance. Cleaning and user maintenance shall not be made by children without supervision.

- Children should be supervised to ensure that they do not play with the appliance.
- The appliance is not to be used by persons (including children) with reduced physical, sensory or mental capabilities, or lack of experience and knowledge, unless they have been given supervision or instruction

 Accessible parts may become hot when used with cooking appliances.

- Clean and/or replace the Filters after the specified time period (Fire hazard).
- There shall be adequate ventilation of the room when the range hood is used at the same time as appliances burning gas or other fuels (not applicable to appliances that only discharge the air back into the room).

**Use**

- Switch off or unplug the appliance from the mains supply before carrying out any maintenance work.
- The top of the hood must not be used as a shelf.
- The extractor hood has been designed exclusively for domestic use to eliminate kitchen smells.
- Never use the hood for purposes other than for which it has been designed.
- Never leave high naked flames under the hood when it is in operation.
- Adjust the flame intensity to direct it onto the bottom of the pan only, making sure that it does not engulf the sides.

Deep fat fryers must be continuously monitored during use: overheated oil can burst into flames.

**Installation modes**

The hood has been designed to be installed and used either as a "Exhaust mode", or as a "Recirculation mode".

**Exhaust mode (see symbol  in installation booklet)**

Cooking steam is sucked and channelled outside the house through a discharge duct (not supplied), fitted to the hood steam outlet.

Ensure that the discharge duct is correctly fitted to the air outlet, unit using an appropriate connection system.

**Recirculation mode (see symbol****in installation booklet)**

The air is filtered through one or more the charcoal filters, and then resent into room.

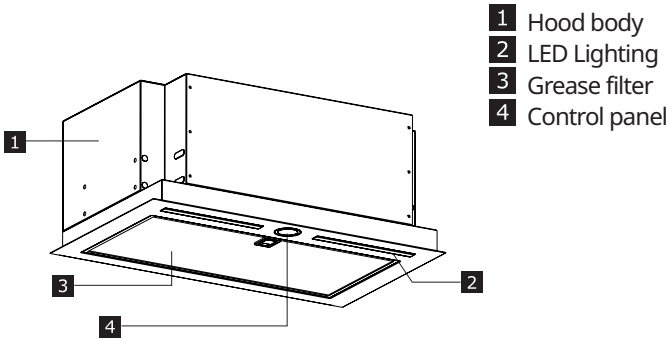
**Important:** Ensure appropriate air circulation around the hood.

**Important:** If the hood is supplied without charcoal filters and installed on recirculation mode, these must be fitted before the hood can be used. Filters are available in shops.

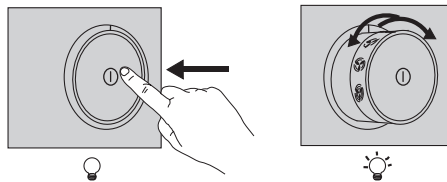
The hood should be installed away from particularly dirty areas, windows, doors and heat sources.

The accessories for wall fixing are not included because wall made of different materials require different types of fixing accessories. Use fixing systems suitable for the walls of your home and the weight of the appliance. For more details, contact a specialized dealer. Keep this booklet for future consultation.

**Product description**



**Control Panel**



<p><b>Lights</b></p>	<p>To turn the lights on, press the dial and release it so that it pops out of its housing.                  To turn the lights off, push the dial back inwards, returning it to the off position.</p>
<p><b>Motor Speed Adjustment</b></p>	<p>Press the dial and release it so that it pops out of its housing, then turn the dial to select one of the available suction speeds.</p>



## General hints

- Switch ON the hood at minimum speed when you start cooking and keep it running for few minutes after cooking is finished.
- Increase the speed only in case of large amount of smoke and vapour and use boost speed(s) only in extreme situations.
- Replace the charcoal filter(s) when necessary to maintain a good odour reduction efficiency.
- Clean the grease filter(s) when necessary to maintain a good grease filter efficiency.
- Use the maximum diameter of the ducting system indicated in this manual to optimize efficiency and minimize noise.

## Care and cleaning

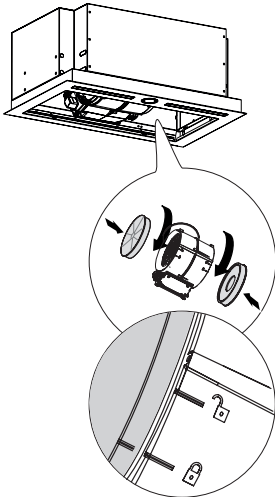


Switch off or unplug the appliance from the mains supply before carrying out any maintenance work.

**IMPORTANT** Clean the hood using a damp cloth and a neutral liquid detergent.

### Long Life Charcoal Filter (Green)

The anti-odour filter can be washed and regenerated every 3-4 months (or more frequently if the hood is subject to intensive use), up to a Max. of 8 regeneration cycles (in case of particularly intensive use it is recommended that you do not exceed 5 cycles).



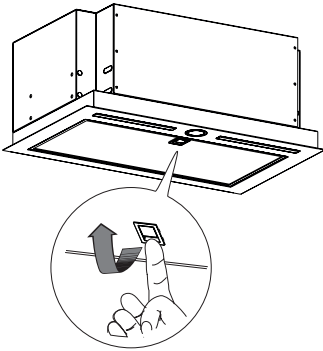
### Regeneration procedure:

- Wash in the dishwasher at a MAX temperature of 70° or hand wash in hot water without using abrasive sponges (do not use detergents!).
- Dry in the oven at a MAX temperature of 70° for 2 hours (it is recommended to read carefully the user manual and the assembly instruction of the oven of your own).

**Grease Filters**

Clean or replace the filters continuously according to below time intervals, to maintain good performance of the hood and to prevent a potential fire hazard, caused by excessive grease build-up.


The grease filters must be cleaned every 2 months of operation, or more frequently for particularly heavy usage, and can be washed in a dishwasher.

**Replacing the lamps**

For Replacement please contact an Authorized Service Center.

## What to do if...

If there is a fault, first try to find a solution to the problem yourself. If you cannot find a solution to the problem yourself, contact an authorized service center.

 If you operated the appliance wrongly, or the installation was not carried out according to the Assembly instructions, the visit from the Authorized Service Centre technician may not take place free of charge, even during the warranty period.

PROBLEM	POSSIBLE CAUSE	SOLUTION
Appliance not stable	The appliance is not correctly installed	Follow the Installation instruction enclosed to the appliance.
Appliance is not in horizontal position	The appliance is not correctly installed	Follow the Installation instruction enclosed to the appliance.
Performance in terms of oil capture are not satisfying	Oil and grease on metal filters or charcoal filters.	Follow the cleaning frequency of filters as described in the user manual
Appliance does not work	The appliance is not correctly connected	Verify that the main cable is connected to the motor group or the plug is connected to the socket
The light does not work	The LED is broken	For replacement, contact the Authorized Service Centre.
Noise of hood is higher than customer expectation.	Air outlet diameter in the wall is too small, causing a pressure drop and an increase in motor speed.	Follow the Installation instruction enclosed to the appliance.
	Product is installed in recirculation mode.	Product in recirculation mode (and using a charcoal filter) will generate a higher noise than a product in extraction mode.
	More than one bend in the ventilation duct.	If the exhaust system in the building has multiple bend in or a long distance, this can increase the noise of the product.

### Before contacting the Authorized Service Centre:

Switch the appliance on again to see if the problem has disappeared. If not, switch it off again and repeat the operation after an hour.

If your appliance still does not work properly after carrying out the checks listed in the troubleshooting guide and switching the appliance on again, contact the Authorized Service Centre, clearly explaining the problem and specifying:

- the type of fault;
- the model;
- the type and serial number of the appliance (given on the rating plate).

**Technical Data**

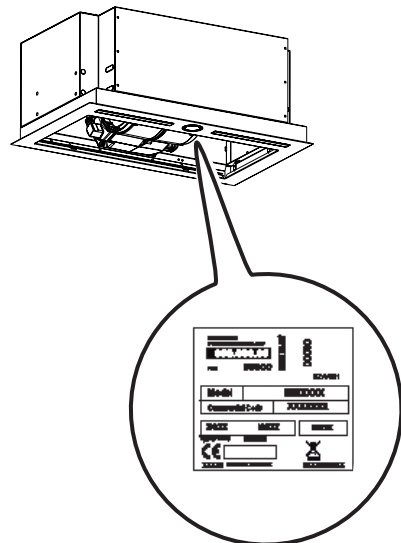
		Unit	Value
Product Type			Built-in hood
Dimensions	Width	mm	599 / 799
	Depth	mm	358
	Height min/max	mm	245
Airflow max* - Exhaust		m3/h	630
Noise max* - Exhaust		dB(A)	64
Airflow max* - Recirculating		m3/h	365
Noise max* - Recirculating		dB(A)	79
Total Power		W	256
Lamps info	Type		LED BAR
	Number & Power		2 x 3W
	Socket		N/A
Installation minimum height - gas hob		mm	650
Installation minimum height - elec hob		mm	500
Net Weight		Kg	11 - 12

\* Maximum speed (boost excluded).



This appliance has been designed, manufactured and marketed in compliance with the E.E.C. Directives.

The technical information is situated in the rating plate on the internal side of the appliance.



## Energy efficiency

Product Information according to EU n°66/2014	Unit	Value
Model identifier		UNDERVERK 703.891.39 103.939.74
Annual Energy Consumption	kWh/a	38,5
Time increase factor		0,7
Fluid Dynamic Efficiency		34,8
Energy Efficiency Index		41,8
Measured air flow rate at best efficiency point	m <sup>3</sup> /h	373,0
Measured air pressure at best efficiency point	Pa	448
Maximum air flow	m <sup>3</sup> /h	630,0
Measured electric power input at best efficiency point	W	133,5
Nominal power of the lighting system	W	6
Average illumination of the lighting system on the cooking surface	lux	220
Measured power consumption in standby mode	W	N/A
Measured power consumption off mode	W	0,00
Sound power level at maximum speed (boost excluded)	dBA	64

### Normative references:


EN/IEC 61591  
EN/IEC 60704-1  
EN/IEC 60704-2-13  
EN/IEC 60704-3  
EN 50564

### Energy saving

The appliance contains features which help you save energy during everyday cooking.


## Environment concerns

### Maintenance

- The symbol  on the product or on its packaging indicates that this product may not be treated as household waste. Instead it shall be handed over to the applicable collection point for the recycling of electrical and electronic equipment. By ensuring this product is disposed of correctly, you will help prevent potential negative consequences for the environment and human health, which could otherwise be caused by inappropriate waste handling of this product. For more detailed information about

recycling of this product, please contact your local city office, your household waste disposal service or the shop where you purchased the product.

### Packaging materials

The materials with the symbol  are recyclable. Dispose the packaging in suitable collection containers to recycle it.

## IKEA GUARANTEE

### How long is the IKEA guarantee valid?

This guarantee is valid for five (5) years from the original date of purchase of Your appliance at IKEA. The original sales receipt is required as proof of purchase. If service work is carried out under guarantee, this will not extend the guarantee period for the appliance.

### Who will execute the service?

IKEA service provider will provide the service through its own service operations or authorized service partner network.

### What does this guarantee cover?

The guarantee covers faults of the appliance, which have been caused by faulty construction or material faults from the date of purchase from IKEA. This guarantee applies to domestic use only. The exceptions are specified under the headline "What is not covered under this guarantee?" Within the guarantee period, the costs to remedy the fault e.g. repairs, parts, labour and travel will be covered, provided that the appliance is accessible for repair

without special expenditure. On these conditions the EU guidelines (Nr. 99/44/EG) and the respective local regulations are applicable. Replaced parts become the property of IKEA.

### What will IKEA do to correct the problem?

IKEA appointed service provider will examine the product and decide, at its sole discretion, if it is covered under this guarantee. If considered covered, IKEA service provider or its authorized service partner through its own service operations, will then, at its sole discretion, either repair the defective product or replace it with the same or a comparable product.

### What is not covered under this guarantee?

- Normal wear and tear.
- Deliberate or negligent damage, damage caused by failure to observe operating instructions, incorrect installation or by connection to the wrong voltage,

damage caused by chemical or electro-chemical reaction, rust, corrosion or water damage including but not limited to damage caused by excessive lime in the water supply, damage caused by abnormal environmental conditions.

- Consumable parts including batteries and lamps.
- Non-functional and decorative parts which do not affect normal use of the appliance, including any scratches and possible color differences.
- Accidental damage caused by foreign objects or substances and cleaning or unblocking of filters, drainage systems or soap drawers.
- Damage to the following parts: ceramic glass, accessories, crockery and cutlery baskets, feed and drainage pipes, seals, lamps and lamp covers, screens, knobs, casings and parts of casings. Unless such damages can be proved to have been caused by production faults.
- Cases where no fault could be found during a technician's visit.
- Repairs not carried out by our appointed service providers and/or an authorized service contractual partner or where non-original parts have been used.
- Repairs caused by installation which is faulty or not according to specification.
- The use of the appliance in a non-domestic environment i.e. professional use.
- Transportation damages. If a customer transports the product to their home or other address, IKEA is not liable for any damage that may occur during transport. However, if IKEA delivers the product to the customer's delivery address, then damage to the product that occurs during this delivery will be covered by this guarantee.
- Cost for carrying out the initial installation of the IKEA appliance. However, if an IKEA service provider or its authorized service partner repairs or replaces

the appliance under the terms of this guarantee, the service provider or its authorized service partner will re-install the repaired appliance or install the replacement, if necessary.

This restriction do not apply to fault-free work carried out by a qualified specialist using our original parts in order to adapt the appliance to the technical safety specifications of another EU country.

### **How country law applies**

The IKEA guarantee gives You specific legal rights, which covers or exceed local demands. However these conditions do not limit in any way consumer rights described in the local legislation

### **Area of validity**

For appliances which are purchased in one EU country and taken to another EU country, the services will be provided in the framework of the guarantee conditions normal in the new country. An obligation to carry out services in the framework of the guarantee exists only if the appliance complies and is installed in accordance with:

- the technical specifications of the country in which the guarantee claim is made;
- the Assembly Instructions and User Manual Safety Information;

### **The dedicated After Sales Service for IKEA appliances:**

Please do not hesitate to contact IKEA After Sales Service to:

1. make a service request under this guarantee;
2. ask for clarification on installation of the IKEA appliance in the dedicated IKEA kitchen furniture. The service won't provide clarifications related to:
  - the overall IKEA kitchen installation;
  - connections to electricity (if machine

comes without plug and cable), to water and to gas since they have to be executed by an authorized service engineer.

3. ask for clarification on user manual contents and specifications of the IKEA appliance.

To ensure that we provide you with the best assistance, please read carefully the Assembly Instructions and/or the User Manual section of this booklet before contacting us.

### **How to reach us if You need our service**



Please refer to the last page of this manual for the full list of IKEA appointed contacts and relative national phone numbers.

**Important!** In order to provide You with a quicker service, we recommend that You use the specific phone numbers listed at the end of this manual. Always refer to the numbers listed in the booklet of the specific appliance You need an assistance for. Before calling us, assure that You have to hand the IKEA article number (8 digit code) for the appliance of which you need our assistance.

**Important! SAVE THE SALES RECEIPT!** It is Your proof of purchase and required for the guarantee to apply. Note that the receipt reports also the IKEA article name and number (8 digit code) for each of the appliances you have purchased.

### **Do You need extra help?**


For any additional questions not related to After Sales of your appliances. Please contact our nearest IKEA store call centre. We recommend you read the appliance documentation carefully before contacting us.




## Inhalt

Sicherheitsinformationen	17	Technische Daten	25
Produktbeschreibung	21	Energieeffizienz	26
Reinigung und Wartung	22	Umweltaspekte	27
Was tun wenn...	24	IKEA-GARANTIE	27

## Sicherheitsinformationen


 Zu Ihrer eigenen Sicherheit und für die korrekte Funktion des Gerätes lesen Sie bitte diese Betriebsanleitung aufmerksam durch, bevor Sie das Gerät installieren und benutzen. Verwahren Sie die Bedienungsanleitung stets zusammen mit dem Gerät, auch wenn Sie dieses an Dritte weitergeben oder übertragen. Es ist wichtig, dass der Benutzer alle Betriebs- und Sicherheitsmerkmale des Gerätes kennt.

 Die Kabel müssen von einem zuständigen Fachmann angeschlossen werden.


- Der Hersteller haftet nicht für etwaige Schäden, die durch eine fehlerhafte Installation oder einen ungeeigneten Gebrauch entstehen könnten.
- Der minimale Sicherheitsabstand zwischen Kochfeld und Abzugshaube soll bei elektrischen und gasbetriebenen Kochfeldern 500 mm bzw. 650 mm betragen.
- Sollten die Installationsanweisungen des gasbetriebenen Kochfelds einen größeren Abstand als oben angegeben, vorsehen, ist dies zu berücksichtigen.
- Sicherstellen, dass die Netzspannung der auf dem Typenschild angegebenen Spannung entspricht. Das Typenschild ist im Inneren der Haube angebracht.
- Trennvorrichtungen müssen in der festen Anlage gemäß Normen über Verkabelungssysteme installiert werden.
- Für Geräte der Klasse I sicherstellen, dass das Versorgungsnetz des Gebäudes korrekt geerdet ist.
- Die Abzugshaube an den Schornstein mit einem Rohr mit

Minstdurchmesser von 120 mm anschließen. Der Verlauf des Rauchabzugs muss so kurz wie möglich sein.

- Die Abzugshaube darf nicht an einen Schacht angeschlossen werden, in den Rauchgase abgeleitet werden (z. B. von Heizkesseln, Kaminen, usw.).
- Falls die Abzugshaube mit Geräten verwendet wird, die nicht elektrisch betrieben sind (z.B. Gasgeräte), muss im Raum für eine ausreichende Belüftung gesorgt werden, damit der Rückfluss der Abgase verhindert wird. Wird die Abzugshaube zusammen mit nicht elektrisch betriebenen Geräten eingesetzt, darf der Unterdruck im Raum 0,04 mbar nicht überschreiten, damit die Abgase nicht wieder angesaugt werden.
- Die Luft darf nicht durch einen Kanal abgelassen werden, der als Rauchabzug für Gasgeräte oder Geräte verwendet wird, die mit anderen Brennstoffen betrieben werden.
- Wenn das Gerätekabel beschädigt ist, muss es vom Hersteller oder von einem Kundendiensttechniker ersetzt werden.
- Den Stecker in eine den einschlägigen Vorschriften entsprechende zugängliche Steckdose stecken.
- Was die technischen und sicherheitsrelevanten Maßnahmen für den Rauchabzug betrifft, sind die Vorgaben der örtlichen Behörden streng einzuhalten.

 **WARNUNG:** Bevor die Haube installiert wird, die Schutzfolien abziehen.

- Nur für die Abzugshaube geeignete Schrauben und Kleinteile verwenden.

 **WARNUNG:** Die mangelnde Verwendung von Schrauben und Befestigungselementen gemäß der vorliegenden Anleitung kann zu Stromschlaggefahr führen.

- Die Haube an das Stromnetz mithilfe eines zweipoligen Schalters mit einem Kontaktabstand von mindestens 3 mm anschließen.
- Nicht direkt mit optischen Instrumenten (Fernglas, Lupe, usw.) in das Licht schauen.

- Auf keinen Fall unter der Haube flambieren: Dabei könnte ein Brand entstehen.
- Dieses Gerät darf von Kindern ab 8 Jahren und von Personen mit beschränkten geistigen, physischen oder sensorischen Fähigkeiten oder mangels Erfahrung und/oder mangels Wissen benutzt werden, vorausgesetzt, sie werden aufmerksam beaufsichtigt oder über den sicheren Gebrauch des Geräts und die damit verbundenen Gefahren eingewiesen. Sicherstellen, dass Kinder nicht mit dem Gerät spielen. Vom Benutzer auszuführende Reinigungs- und Wartungsarbeiten dürfen nicht von Kindern ausgeführt werden, sofern sie nicht dabei beaufsichtigt werden.
- Kinder müssen beaufsichtigt werden, damit sichergestellt wird, dass sie nicht am Gerät spielen.
- Dieses Gerät darf nicht von Personen (einschließlich Kindern) mit beschränkten geistigen, physischen oder sensorischen Fähigkeiten oder mangels Erfahrung und/oder mangels Wissen benutzt werden, außer sie werden aufmerksam beaufsichtigt und eingewiesen.



Die frei zugänglichen Teile können während des Kochens mit Kochgeräten sehr heiß werden.

- Die Filter sind nach den angegebenen Intervallen zu reinigen und/oder zu ersetzen (Brandgefahr).
- Wenn die Abzugshaube gleichzeitig mit Geräten verwendet wird, die Gas oder andere Brennstoffe benutzen, muss im Raum eine ausreichende Belüftung vorhanden sein (gilt nicht für Geräte, die nur Luft in den Raum ablassen)

**Gebrauch**

- Vor Reinigungs- oder Wartungsarbeiten am Gerät muss dieses ausgeschaltet und spannungslos gemacht werden.
- Keine Gegenstände auf der Abzugshaube abstellen.
- Die Abzugshaube wurde ausschließlich dazu entwickelt, um im Haushalt Küchendünste zu beseitigen.
- Die Haube niemals für andere Zwecke verwenden, als die für welche sie entwickelt worden ist.
- Unter der eingeschalteten Haube keine offenen hohen Flammen benutzen.
- Die Flamme so regulieren, dass sie nicht über den Umfang des Kochgeschirrs hinausragt.

Fritteusen müssen während des Gebrauchs ständig überwacht werden: Überhitztes Öl könnte sich entzünden.

**Installationsanleitung**

Die Abzugshaube ist für „Abluftbetrieb“ oder „Umluftbetrieb“ entwickelt worden.

**Abluftbetrieb (siehe das Symbol in der Installationsanleitung)**

Die Kochdämpfe werden abgesaugt und über ein am Auslass der Haube installiertes Abzugsrohr (nicht mitgeliefert) nach außen geleitet.

Sicherstellen, dass das Abzugsrohr richtig am Luftauslass installiert ist und ein geeignetes Anschlussystem verwendet wurde.

**Umluftbetrieb (siehe das Symbol in der Installationsanleitung)**

Die Luft wird durch einen oder mehrere Filter gefiltert und dann wieder in den Raum zurück gefördert.

**Wichtig:** Sicherstellen, dass die Luft um die Haube herum richtig zirkuliert.

**Wichtig:** Wenn die Haube ohne Aktivkohlefilter geliefert wurde, müssen die Filter bestellt und vor der Inbetriebnahme des Gerätes montiert werden. Die Filter sind im Handel erhältlich.

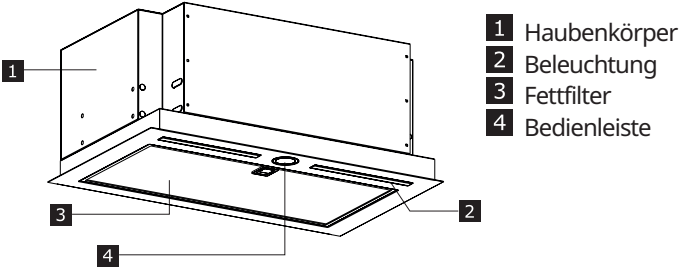
Die Abzugshaube muss fern von stark verschmutzten Bereichen, Fenstern, Türen und Wärmequellen installiert werden.

Die Befestigungselemente sind nicht in der Lieferung enthalten, weil sie je nach Beschaffenheit der Wand variieren.

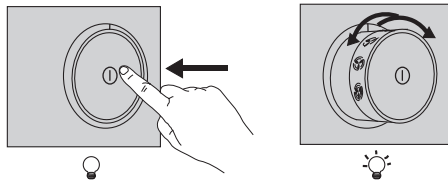
Verwenden Sie für die Wände Ihrer Wohnung und das Gewicht des Gerätes geeignete Befestigungssysteme. Für weitere Informationen wenden Sie sich an einen Fachhändler.

Die vorliegende Bedienungsanleitung für späteres Nachschlagen sorgfältig aufbewahren.

**Produktbeschreibung**



**Bedienfeld**



<p><b>Beleuchtung</b></p>	<p>Zum Einschalten der Beleuchtung den Knopf eindrücken und loslassen, damit er ausrastet.                  Zum Ausschalten der Beleuchtung den Knopf erneut eindrücken, damit er wieder in die Ausschaltstellung einrastet.</p>
<p><b>Einstellung der Motordrehzahl</b></p>	<p>Den Knopf drücken und loslassen, damit er ausrastet. Dann durch Drehen des Knopfs eine der zur Wahl stehenden Absauggeschwindigkeiten einstellen.</p>

## Allgemeine Empfehlungen

- Zu Beginn des Kochvorgangs die Haube bei niedrigster Geschwindigkeit einschalten und nach beendetem Kochvorgang, noch einige Minuten laufen lassen.
- Die Geschwindigkeit der Haube nur bei vermehrter Rauch- und Dampfbildung erhöhen und die Intensivgeschwindigkeit/en nur in extremen Fällen einsetzen.
- Den oder die Aktivkohlefilter nach Bedarf ersetzen, damit Gerüche stets effizient beseitigt werden können.
- Den oder die Fettfilter nach Bedarf ersetzen, damit stets eine gute Fettabsorption gewährleistet bleibt.
- Für maximale Effizienz und minimale Geräuschentwicklung den größten, in diesem Handbuch angegebenen Rohrdurchmesser verwenden.

## Reinigung und Wartung

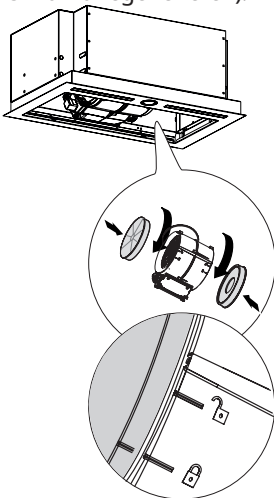


Vor Reinigungs- oder Wartungsarbeiten am Gerät muss dieses ausgeschaltet und spannungslos gemacht werden.

**WICHTIG** Die Haube mit einem feuchten Lappen und einem neutralen Putzmittel reinigen.

### Langlebiger Aktivkohlefilter (grün)

Der Geruchsfilter kann alle 3-4 Monate (oder bei intensivem Gebrauch häufiger) gewaschen und bis maximal 8 Mal regeneriert werden (bei besonders intensivem Gebrauch, empfehlen wir den Filter nicht mehr als 5 Mal zu regenerieren).



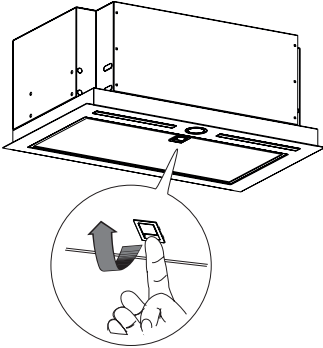
### Regenerierungsprozedur:

- In der Spülmaschine bei max. 70° oder von Hand mit warmem Wasser waschen, ohne scheuernde Schwämme zu benutzen (keine Waschmittel verwenden!)
- Zwei Stunden im Ofen bei einer Temperatur von max. 70° trocknen (lesen Sie bitte aufmerksam die Gebrauchs- und Montageanleitung Ihres Ofens).

**Fettfilter**

Die Filter stets nach den angegebenen Intervallen reinigen oder auswechseln, damit der gute Zustand der Abzugshaube erhalten bleibt und Brandgefahr wegen übermäßiger Fettansammlung vermieden wird.

Die Fettfilter sind alle 2 Betriebsmonate oder bei intensiver Nutzung häufiger zu reinigen und können in der Spülmaschine gewaschen werden.

**Auswechseln der Lampen**

Für den Ersatz den autorisierten Kundendienst kontaktieren.

**Was tun wenn...**

Im Störfall zunächst selbst versuchen, eine Abhilfe zu finden. Kann das Problem nicht selbst gelöst werden, ist der Kundendienst hinzuzuziehen.

**i** Im Falle des falschen Gebrauchs des Gerätes oder nicht vorschriftsmäßig durchgeführter Installation kann es vorkommen, dass der Eingriff des Technischen Kundendienstes oder des Händlers auch während der Garantielzeit vom Kunden bezahlt werden muss.

PROBLEM	MÖGLICHE URSACHE	ABHILFE
Das Gerät ist nicht stabil	Das Gerät wurde nicht richtig installiert	Die mit dem Gerät mitgelieferte Installationsanleitung befolgen.
Das Gerät ist nicht gerade ausgerichtet	Das Gerät wurde nicht richtig installiert	Die mit dem Gerät mitgelieferte Installationsanleitung befolgen.
Die Leistungen hinsichtlich der Absorption der Fettschwaden sind unbefriedigend	Öl und Fett an den Metallfiltern oder an den Aktivkohlefilter.	Die in der Bedienungsanleitung angegebenen Reinigungsintervalle einhalten
Das Gerät funktioniert nicht	Das Gerät wurde nicht richtig angeschlossen	Kontrollieren, ob das Netzkabel an die Motoreinheit angeschlossen, bzw. der Stecker in die Steckdose gesteckt worden ist
Die Lampe funktioniert nicht	Die LED ist defekt	Für den Ersatz den autorisierten Kundendienst kontaktieren.
Die Abzugshaube ist geräuschvoller als vom Kunden erwartet.	Der Durchmesser des Luftblasses in der Wand ist zu klein und verursacht einen Druckverlust und eine höhere Motordrehzahl.	Die mit dem Gerät mitgelieferte Installationsanleitung befolgen.
	Das Produkt ist auf Umlaufbetrieb geschaltet.	Das Produkt ist im Umlaufbetrieb (mit eingebautem Aktivkohlenfilter) geräuschvoller als ein Produkt im Abzugsbetrieb.
	Die Belüftungsleitung ist mit mehr als eine Kurve verlegt worden.	Wenn das Rauchabzugssystem des Gebäudes mehrere Kurven aufweist oder über eine lange Strecke verlegt ist, kann das Produkt geräuschvoller sein.

**Bevor der autorisierte Kundendienst gerufen wird:**

Das Gerät einschalten, um zu prüfen, ob das Problem immer noch vorliegt. Anderenfalls, das Gerät ausschalten und nach einer Stunde erneut einschalten.

Wenn das Gerät auch nach den in der Anleitung zur Störungssuche aufgelisteten Kontrollen nicht richtig funktioniert, wenden Sie sich an den autorisierten Kundendienst und erklären Sie das Problem. Geben Sie Folgendes an:

- Art der Störung;
- das Modell;
- Typ und Seriennummer des Geräts (am Typenschild angegeben).



**Technische Daten**

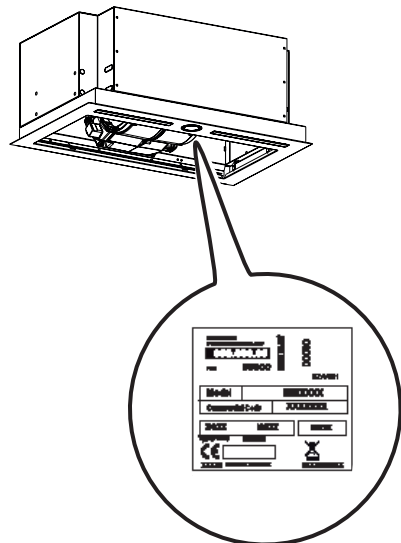
		Einheit	Wert
Produkttyp			Dunstabzug zum Einbauen
Abmessungen	Breite	mm	599 / 799
	Tiefe	mm	358
	Höhe min./max.	mm	245
Max. Lüfterleistung* - Abluftbetrieb		m3/h	630
Max. Lärmpegel - Abluftbetrieb		dBA	64
Max. Lüfterleistung* - Umluftbetrieb		m3/h	365
Max. Lärmpegel* - Umluftbetrieb		dBA	79
Gesamtleistung		W	256
Informationen über die Lampe	Typ		LED-LEISTE
	Anzahl und Leistung		2 x 3W
	Sockel		N/A
Min. Installationshöhe - Gaskochfeld		mm	650
Min. Installationshöhe - Elektrokochfeld		mm	500
Nettogewicht		kg	11 - 12

\* Maximale Geschwindigkeit (ohne Intensivgeschwindigkeit).



Dieses Gerät wurde gemäß den EWG-Richtlinien entworfen, hergestellt und vermarktet.

Die technischen Daten sind dem Typenschild im Geräteinneren zu entnehmen.



## Energieeffizienz

Informationen zu dem Produkt gemäß EU-Verordnung 66/2014	Einheit	Wert
ID-Nummer des Modells		UNDERVERK 703.891.39 103.939.74
Jährlicher Stromverbrauch	kWh/a	38,5
Steigungskoeffizient der Zeit		0,7
Fluiddynamische Effizienz		34,8
Energieeffizienzindex		41,8
Gemessener Luftvolumenstrom im Bestpunkt	m <sup>3</sup> /h	373,0
Gemessener Luftdruck im Bestpunkt	Pa	448
Maximaler Luftstrom	m <sup>3</sup> /h	630,0
Gemessene elektrische Eingangsleistung im Bestpunkt	W	133,5
Nennleistung des Beleuchtungssystems	W	6
Durchschnittliche Beleuchtungsstärke des Beleuchtungssystems auf der Kochoberfläche	lux	220
Gemessene Leistungsaufnahme im Bereitschaftszustand	W	N/A
Gemessene Leistungsaufnahme im Aus-Zustand	W	0,00
Schallleistungspegel bei maximaler Geschwindigkeit (ohne Intensivbetrieb)	dBA	64

### Bezugsnormen:


EN/IEC 61591  
EN/IEC 60704-1  
EN/IEC 60704-2-13  
EN/IEC 60704-3  
EN 50564

### Energieeinsparung

Das Gerät verfügt über Eigenschaften, die beim täglichen Kochen die Einsparung von Energie ermöglichen.


## Informationen zum Umweltschutz

### Instandhaltung

- Das Symbol  auf dem Produkt oder der Verpackung weist darauf hin, dass das Gerät nicht als normaler Hausmüll behandelt werden darf. Das ausrangierte Gerät muss vielmehr bei einer speziellen Sammelstelle für elektrische und elektronische Geräte abgegeben werden. Mit der vorschriftsmäßigen Entsorgung des Gerätes trägt der Benutzer dazu bei, schädliche Auswirkungen auf Umwelt und Gesundheit zu vermeiden. Für weitere Informationen zum Recycling dieses Produktes wenden Sie sich

an die zuständige Behörde, die örtliche Abfallbeseitigung oder den Händler, bei dem sie das Gerät erworben haben.

### Verpackungsmaterial

Verpackungsmaterial mit dem Symbol  ist wieder verwendbar. Entsorgen Sie das Verpackungsmaterial in den dafür vorgesehenen Containern für Recyclingmaterial.

## IKEA GARANTIE

### Wie lange gilt die IKEA-Garantie?

Diese Garantie hat eine Gültigkeit von fünf (5) Jahren ab Kaufdatum des Geräts bei IKEA. Der Original-Kassenzettel ist als Kaufbeleg unerlässlich. Eine im Laufe der Garantie durchgeführte Reparatur verlängert die Garantiedauer des Geräts nicht.

### Wer übernimmt den Kundendienst?

Der IKEA Kundendienst wird diesen Service über seinen eigenen Kundendienst oder über ein autorisiertes Partner-Netzwerk durchführen lassen.

### Was deckt die Garantie ab?

Die Garantie deckt Material- und Produktionsfehler ab. Sie gilt ab dem Datum, an dem das Elektrogerät bei IKEA gekauft wurde. Diese Garantie gilt nur für private Haushalte. Die Ausnahmen sind unter der Rubrik "Was ist nicht durch diese Garantie abgedeckt?" beschrieben. Innerhalb des Garantiezeitraums werden die Kosten zur Behebung eines Fehlers wie Reparaturen, Ersatzteile, Arbeitszeit und Fahrtkosten abgedeckt, vorausgesetzt, dass das Gerät ohne besonderen

Kostenaufwand für die Reparatur zugänglich ist und dass der Fehler direkt auf einen Konstruktionsfehler oder einen Materialfehler zurückgeht, der durch die Garantie abgedeckt ist. Bei diesen Bedingungen gelten die EU-Richtlinien (Nr.99/44/EG) und die entsprechenden gesetzlichen Vorschriften. Teile, die ersetzt wurden, gehen in das Eigentum von IKEA über.

### Was wird IKEA zur Lösung des Problems tun?

IKEA hat Kundendienste, die das Produkt untersuchen und eigenständig entscheiden, ob das Problem durch die Garantie abgedeckt ist oder nicht. Wenn entschieden wird, dass der Fall unter die Garantie fällt, repariert der IKEA Kundendienst oder ein autorisierter Service-Partner über seinen eigenen Service eigenständig das defekte Produkt, oder sie ersetzen es durch ein gleiches oder durch ein gleichwertiges Produkt.

### Was ist nicht durch diese Garantie abgedeckt?

- Der normale Verschleiß.

- Bewusste oder durch Fahrlässigkeit entstandene Schäden, die durch eine Missachtung der Bedienungsanweisung, eine unsachgemäße Installation oder durch den Anschluss an eine falsche Spannung, sowie Schäden, die durch eine chemische oder elektrochemische Reaktion (Rost, Korrosion oder Wasserschäden eingeschlossen - aber nicht darauf beschränkt) - Schäden, die durch übermäßigen Kalk in der Wasserzuleitung entstanden sind, und Schäden, die durch ungewöhnliche Umweltbedingungen entstanden sind.
- Verbrauchsgüter wie Batterien und Lampen.
- Nicht-funktionale und dekorative Teile, die den normalen Betrieb des Gerätes nicht beeinträchtigen, einschließlich Kratzer und möglicher Farbunterschiede.
- Versehentliche Beschädigung durch Fremdobjekte der Substanzen und Reinigung oder Loslösen von Filtern, Drainagesystemen oder Reinigungsmittel- Schubladen.
- Beschädigung folgender Teile: Glaskeramik, Zubehör, Geschirr und Besteckkörbe, Zuleitungen und Drainageschläuche/rohre, Lampen und Lampenabdeckungen, Knöpfe/Wählschalter, Gehäuse und Teile des Gehäuses; es sei denn, es kann nachgewiesen werden, dass diese Schäden durch Produktionsfehler verursacht wurden.
- Fälle, in denen bei einem Besuch des Kundendienstes kein Fehler gefunden werden konnte.
- Reparaturen, die nicht durch unser autorisiertes Kundendienstpersonal und/oder das autorisierte Kundendienstpersonal unserer Vertragspartner ausgeführt wurden, oder Fälle, in denen keine Originalteile verwendet wurden.
- Reparaturen, die durch fehlerhafte und nicht gemäß der Anleitung durchgeführte Installation verursacht wurden.
- Die Nutzung des Gerätes in einer pro-

fessionellen Art und Weise, d.h. nicht im privaten Haushalt.

- Transportschäden. Wenn ein Kunde das Produkt nach Hause oder an eine andere Adresse transportiert, haftet IKEA nicht für Schäden, die während dieses Transports entstehen. Liefert IKEA das Produkt an die Lieferadresse des Kunden aus, dann sind Schäden, die während der Auslieferung des Produktes entstehen, von der Garantie abgedeckt.
- Die Kosten zur Durchführung der Erstin- stallation des IKEA Gerätes. Falls der IKEA Kundendienst oder sein autorisierter Service-Partner das Gerät als Garantie-fall instandsetzt oder ersetzt, installiert der Kundendienst oder sein autorisierter Service-Partner bei Bedarf das Gerätauch wieder oder er installiert das Ersatz-gerät.

Diese Einschränkung gilt nicht für fehlerfreie Arbeiten, die von qualifiziertem Fachpersonal durchgeführt wurden, um das Gerät an den technischen Sicherheitsstandard eines anderen EU-Landes anzupassen.

### **Wie gilt die geltende Gesetzgebung des Landes**

Die IKEA Garantie gibt Ihnen spezielle gesetzliche Rechte, die alle lokalen gesetzlichen Anforderungen abdecken oder übertreffen, die einer Änderung von Land zu Land unterworfen sind.

### **Gültigkeitsbereich**

Für Geräte, die in einem EU-Land gekauft und in ein anderes EU-Land mitgenommen werden, stehen die Kundendienstleistungen im Rahmen der Garantiebedingungen bereit, die im neuen Land gültig sind. Eine Verpflichtung, Dienstleistungen im Rahmen der Garantie auszuführen, besteht nur dann, wenn:

- das Gerät den technischen Spezifikationen des Landes, in dem der Garantieanspruch gemacht wird, entspricht, und es in Übereinstimmung mit diesen technischen Spezifikationen des Landes installiert wurde;

- das Gerät in Übereinstimmung mit den Montageanleitungen und den Sicherheitsinformationen im Benutzerhandbuch installiert wurde und diesen Anleitungen und Informationen entspricht.

### **Der spezielle Kundendienst (Service) für IKEA Geräte:**

Bitte zögern Sie nicht, den speziellen IKEA Kundendienst (Service) zu kontaktieren für:

1. einen Anspruch unter dieser Garantie;
2. die Bitte um Klärung von Fragen zur Installation des IKEA Gerätes im speziellen IKEA Küchenmöbel. Der Kundendienst kann keine Fragen beantworten zu:
  - der gesamten IKEA Kücheninstallation;
  - Anschlüsse an die Elektrik (falls das Gerät ohne Netzkabel und Stecker kommt), Anschlüsse an Wasser und Gas, da diese Arbeiten von einem autorisierten Kundendiensttechniker ausgeführt werden müssen.
3. die Bitte um Klärung von Fragen zu Inhalten des Benutzerhandbuchs und zu Spezifikationen des IKEA Geräts.

Um sicherzustellen, dass wir Sie stets optimal unterstützen, lesen Sie bitte die Montageanleitung und/oder den Bedienungsanleitungsabschnitt dieser Broschüre durch, bevor Sie sich an uns wenden.

### **Wie können Sie uns erreichen, wenn Sie uns benötigen?**



Auf der letzten Seite dieser Broschüre finden Sie eine vollständige Liste mit offiziellen IKEA Kundendienststellen und den jeweiligen nationalen Telefonnummern.

**Wichtig!** Damit Sie bei Fragen rasch die zuständige Stelle erreichen, empfehlen

wir Ihnen, die am Ende dieser Broschüre aufgelisteten speziellen Telefonnummern zu benutzen. Beziehen Sie sich bitte stets auf die Telefonnummern, die in der Broschüre zu dem jeweiligen Gerät aufgelistet sind, zu dem Sie Fragen haben. Bevor Sie uns anrufen, sollten Sie die IKEA-Artikelnummer (den 8-stelligen Zifferncode) Ihres Gerätes zur Hand haben.

**Wichtig! BITTE BEWAHREN SIE DEN KAUFBELEG AUF!** Er ist Ihr Kaufnachweis und für einen Garantieanspruch unerlässlich. Bitte beachten Sie, dass auf diesem Kaufbeleg auch die IKEA

Artikelbezeichnung und die Nummer (der 8-stellige Zifferncode) für jedes der Geräte, die Sie gekauft haben, vermerkt sind.


### **Benötigen Sie zusätzlich Hilfe?**

Für alle weiteren Fragen, die sich nicht auf den Kundendienst Ihres Gerätes beziehen, wenden Sie sich bitte an das Call Center der nächsten IKEA-Einrichtung. Wir empfehlen Ihnen, die Dokumentation des Geräts sorgfältig durchzulesen, bevor Sie uns kontaktieren

## Sommaire

Consignes de sécurité	30	Caractéristiques techniques	38
Description du produit	34	Efficacité énergétique	39
Nettoyage et entretien	35	Aspects environnementaux	40
Quoi faire si...	37	GARANTIE IKEA	40

## Consignes de sécurité

 Pour votre sécurité et pour garantir le fonctionnement correct de l'appareil, veuillez lire attentivement ce manuel avant d'installer et de mettre en fonction l'appareil. Toujours conserver ces instructions avec l'appareil, même en cas de cession ou de transfert à une autre personne. Il est important que les utilisateurs connaissent toutes les caractéristiques de fonctionnement et de sécurité de l'appareil.

 La connexion des câbles doit être effectuée par un technicien compétent.

- En aucun cas le fabricant ne peut être tenu pour responsable d'éventuels dommages dus à une installation ou à une utilisation impropre.
- La distance de sécurité minimale entre la plaque de cuisson et la hotte aspirante est de 500 millimètres pour les hottes de cuisine électriques et de 650 millimètres pour hottes de cuisine à gaz.
- Si les instructions d'installation du plan de cuisson à gaz spécifient une distance supérieure à celle indiquée ci-dessus, veuillez impérativement en tenir compte.
- Assurez-vous que la tension du secteur correspond à celle indiquée sur la plaque des caractéristiques apposée à l'intérieur de la hotte.
- Les dispositifs de sectionnement doivent être montés dans l'installation fixe conformément aux normes sur les systèmes de câblage.
- Pour les appareils de Classe I, s'assurer que l'installation électrique de votre intérieur dispose d'une mise à la terre adéquate.

- Reliez l'aspirateur du conduit de cheminée avec un tube ayant un diamètre minimum de 120 mm. Le parcours des fumées doit être le plus court possible.
- Ne reliez pas la hotte aspirante aux conduits de cheminée qui acheminent les fumées de combustion (par ex. de chaudières, de cheminées, etc.).
- Si vous utilisez l'aspirateur en même temps que des appareils non électriques (par ex. fonctionnant au gaz), veillez à ce que la pièce soit adéquatement ventilée, afin d'empêcher le retour du flux des gaz d'évacuation. Si vous utilisez la hotte de cuisine en même temps que des appareils non alimentés à l'électricité, la pression négative dans la pièce ne doit pas dépasser 0,04 mbar, afin d'éviter que les fumées soient réaspirées dans la pièce où se trouve la hotte.
- Ne pas évacuer l'air à travers une conduite utilisée pour l'évacuation des fumées des appareils de combustion alimentés au gaz ou avec d'autres combustibles.
- Si le cordon d'alimentation est endommagé, faites-le remplacer par le fabricant ou par un technicien d'un service après-vente agréé.
- Branchez la fiche à une prise conforme aux normes en vigueur et dans une position accessible.
- En ce qui concerne les dimensions techniques et de sécurité à adopter pour l'évacuation des fumées, veuillez vous conformer scrupuleusement aux règlements établis par les autorités locales.

 **AVERTISSEMENT** : Avant d'installer la hotte, retirer les films de protection.

- Utilisez exclusivement des vis et des petites fournitures du type adapté pour la hotte.

 **AVERTISSEMENT** : toute installation de vis et de dispositifs de fixation non conformes à ces instructions peut entraîner des risques de décharges électriques.

- Branchez la hotte au secteur avec un interrupteur bipolaire ayant

une ouverture des contacts d'au moins 3 mm.

- Ne pas observer directement avec des instruments optiques (jumelles, lentilles grossissantes...).
- Ne flambez pas des mets sous la hotte : sous risque de développer un incendie.
- Cet appareil peut être utilisé par des enfants de plus de 8 ans et par des personnes dont les capacités physiques, sensorielles ou mentales sont diminuées ou ayant une expérience et des connaissances insuffisantes, pourvu que ce soit sous la surveillance attentive d'une personne responsable et après avoir reçu des instructions sur la manière d'utiliser cet appareil en toute sécurité et sur les dangers que cela comporte. Assurez-vous que les enfants ne jouent pas avec cet appareil. Le nettoyage et l'entretien de la part de l'utilisateur ne doivent pas être effectués par des enfants, à moins qu'ils ne soient surveillés.
- Surveillez les enfants. S'assurer qu'ils ne jouent pas avec l'appareil.
- Cet appareil n'est pas destiné à être utilisé par des personnes (enfants compris) dont les capacités physiques, sensorielles ou mentales sont diminuées ou ayant une expérience et des connaissances insuffisantes, à moins que celles-ci ne soient attentivement surveillées et instruites.



Les parties accessibles peuvent devenir très chaudes durant l'utilisation des appareils de cuisson.

- Nettoyez et/ou remplacez les filtres après le délai indiqué (danger d'incendie).
- Veillez à ce que la pièce bénéficie d'une ventilation adéquate lorsque la hotte fonctionne en même temps que des appareils utilisant du gaz ou d'autres combustibles (non applicable aux appareils qui évacuent l'air uniquement dans la pièce).



### Utilisation

- Éteignez ou débranchez l'appareil du secteur, avant d'effectuer toute opération de nettoyage et d'entretien.
- N'utilisez pas la hotte comme un plan d'appui.
- Cette hotte aspirante a été conçue exclusivement pour un usage domestique dans le but d'éliminer les odeurs de cuisine.
- N'utilisez jamais la hotte pour des buts différents de ceux pour lesquels elle a été conçue.
- Ne laissez jamais un feu vif allumé sous la hotte lorsque celle-ci est en fonction.
- Réglez l'intensité du feu de manière à l'orienter exclusivement vers le fond de la casserole, en vous assurant que celui-ci ne déborde pas sur les côtés.

Contrôlez constamment les friteuses durant leur utilisation : l'huile surchauffée risque de s'incendier.

### Mode d'installation

La hotte a été conçue pour être installée et utilisée en « version aspirante » ou en « version à recyclage d'air ».

#### Version aspirante (voir le symbole dans les instructions d'installation)

La vapeur de cuisson est aspirée et évacuée à l'extérieur de l'habitation via une conduite d'évacuation (non fournie), installée sur la sortie de vapeur de la hotte.

Assurez-vous que la conduite d'évacuation est correctement installée sur la sortie d'air au moyen d'un système de raccordement approprié.

#### Version à recyclage d'air (voir le

#### symbole dans les instructions d'installation)

L'air est filtré via un ou plusieurs filtres, puis est de nouveau rejeté dans la pièce.

**Important :** Assurez une circulation appropriée de l'air autour de la hotte

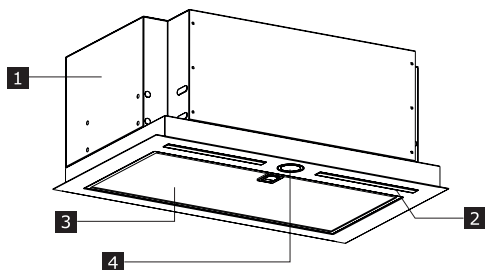
**Important :** Si la hotte est fournie sans filtres à charbon et elle est installée en version à recyclage d'air, vous devez commander et installer ces filtres avant d'utiliser l'appareil. Ces filtres sont disponibles dans le commerce.

La hotte doit être installée loin de zones particulièrement sales, de fenêtres, de portes et de sources de chaleur.

Les accessoires de fixation murale ne sont pas fournis, car ils varient selon le matériau de la paroi. Utilisez des systèmes de fixation adaptés aux murs de votre habitation et au poids de l'appareil. Pour plus d'informations, veuillez contacter un revendeur spécialisé.

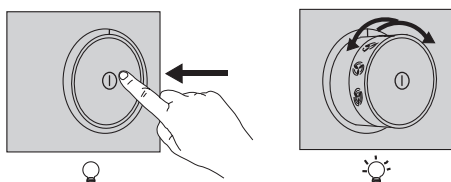
Conservez ces instructions pour toute consultation future

## Description du produit



- 1 Corps de hotte
- 2 Éclairage à LED
- 3 Filtre à graisse
- 4 Bandeau de commande

## Bandeau de commande




<p><b>Éclairage</b></p>	<p>Pour allumer les lumières, pousser le bouton et le relâcher de façon à ce qu'il sorte de sa position de départ. Pour éteindre les lumières, pousser de nouveau le bouton vers l'intérieur de façon de le ramener dans sa position d'interrupteur éteint.</p>
<p><b>Réglage Vitesse moteur</b></p>	<p>Pousser le bouton et le relâcher de façon à ce qu'il sorte de sa position de départ ; puis tourner le bouton pour sélectionner une des vitesses d'aspiration disponibles.</p>

## Suggestions et recommandations générales

- Actionnez la hotte à la vitesse minimum lorsque vous commencez à cuisiner et laissez-la en fonction pendant quelques minutes après la fin de la cuisson.
- N'augmentez la vitesse qu'en cas de forte production de fumée ou de vapeur et n'utilisez la ou les vitesses intensive(s) qu'en des situations extrêmes.
- Remplacez le filtre ou les filtres à charbon lorsque cela est nécessaire pour conserver une bonne efficacité d'absorption des odeurs.
- Remplacez le filtre ou les filtres à graisse lorsque cela est nécessaire pour conserver une bonne efficacité d'absorption des graisses.
- Utilisez le diamètre maximum de la canalisation indiqué dans ce manuel pour optimiser l'efficacité et minimiser le bruit.

## Nettoyage et entretien

 Éteignez ou débranchez l'appareil du secteur, avant d'effectuer toute opération de nettoyage ou d'entretien.

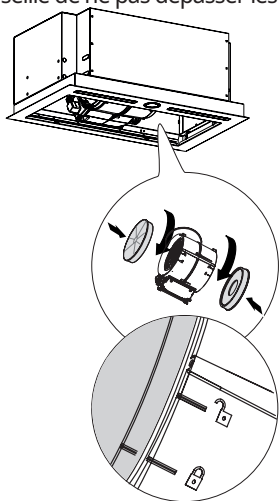
**IMPORTANT** Nettoyez la hotte avec un chiffon humide et un détergent liquide neutre.

### Filtre à charbon de longue durée (vert)

Le filtre anti-odeur peut être lavé et régénéré tous les 3-4 mois (ou plus fréquemment en cas d'utilisation intensive de la hotte) jusqu'à un maximum de 8 cycles de régénération (en cas d'utilisation particulièrement intensive, il est conseillé de ne pas dépasser les 5 cycles).

### Procédure de régénération :

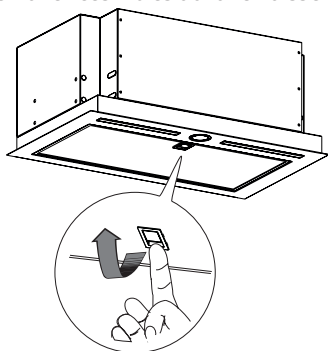
- Lavez au lave-vaisselle à une température MAX de 70° ou lavez à la main avec de l'eau chaude sans utiliser d'éponges abrasives (ne pas utiliser de produits détergents).
- Séchez au four à une température MAX de 70° pendant 2 heures (il est recommandé de lire attentivement le manuel de l'utilisateur et les instructions de montage de votre four).



**Filtres à graisse**

Nettoyez ou remplacez les filtres en continu aux périodicités indiquées, afin de conserver à la hotte son bon état de fonctionnement et d'éviter tout risque d'incendie à cause d'une accumulation excessive de graisse.

Nettoyez les filtres à graisse tous les 2 mois de fonctionnement ou plus souvent en cas d'utilisation particulièrement intense. Vous pouvez laver ces filtres au lave-vaisselle.

**Remplacement des ampoules**

Pour tout remplacement, contactez un service après-vente agréé.

## Quoi faire si...

En présence d'une panne, essayez d'abord de résoudre le problème vous-même. Si vous ne parvenez pas à résoudre le problème tout seul, veuillez vous adresser à un service après-vente agréé.

**i** En cas d'utilisation impropre de l'appareil ou si l'installation a été effectuée sans respecter les instructions de montage, vous pourriez devoir payer la visite du technicien du service après-vente agréé même durant la période de validité de la garantie.

PROBLÈME	CAUSE POSSIBLE	SOLUTION
L'appareil n'est pas stable	L'appareil n'a pas été installé correctement	Respectez les instructions d'installation fournies avec l'appareil.
L'appareil n'est pas installé en position horizontale	L'appareil n'a pas été installé correctement	Respectez les instructions d'installation fournies avec l'appareil.
Les performances en termes de capture des graisses ne sont pas satisfaisantes	Présence d'huile et de graisse sur les filtres en métal ou sur les filtres à charbon	Respectez les périodicités de nettoyage des filtres indiquées dans le manuel d'utilisation
L'appareil ne fonctionne pas	L'appareil n'a pas été relié correctement	Vérifiez que le câble du secteur est branché au groupe moteur ou que la fiche est branchée dans la prise
La lampe ne fonctionne pas	La LED est cassée.	Pour tout remplacement, contactez un service après-vente agréé.
La hotte est plus bruyante par rapport aux attentes du client.	Le diamètre de sortie de l'air dans le mur est trop petit et il provoque une perte de pression et l'augmentation de la vitesse du moteur.	Respectez les instructions d'installation fournies avec l'appareil.
	L'appareil est installé en version à recyclage.	L'appareil en version à recyclage (et avec le filtre à charbon monté) est plus bruyant qu'un produit en version aspirante.
	Le conduit de ventilation présente plus d'un coude.	Si le système d'évacuation des fumées de l'édifice présente plusieurs coudes ou s'il couvre une longue distance, l'appareil peut s'avérer plus bruyant.

### Avant de contacter un service après-vente agréé :

Remettez l'appareil en marche pour vérifier si le problème a été éliminé. Si le problème persiste, débranchez à nouveau l'appareil et recommencez l'opération après une heure. Si votre appareil ne fonctionne toujours pas correctement bien que vous ayez effectué les contrôles indiqués dans le guide à la solution des pannes et rebranché l'appareil, contactez le service après-vente agréé en expliquant clairement le problème et en spécifiant :

- le type de panne ;
- le modèle ;
- le type et le numéro de série de l'appareil (indiqués sur la plaque).

## Caractéristiques techniques

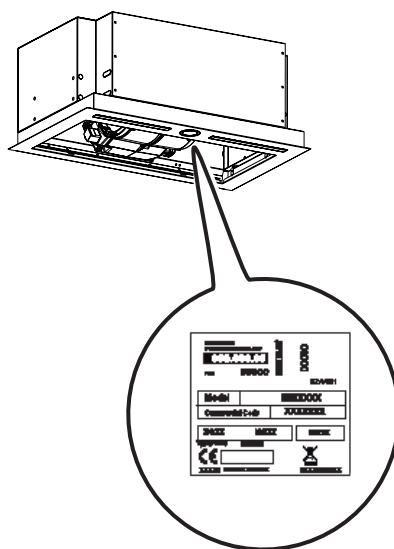
		Unité	Valeur
Type de produit			Hotte intégrée
Dimensions	Largeur	mm	599 / 799
	Profondeur	mm	358
	Hauteur min/max	mm	245
Débit d'air max.* - Évacuation		m3/h	630
Nuisance sonore max. - Évacuation		dBA	64
Débit d'air max. - Recyclage		m3/h	365
Nuisance sonore max.* - Recyclage		dBA	79
Puissance totale		W	256
Informations sur la lampe	Type		BARRE LED
	Nombre et puissance		2 x 3W
	Culot		N/A
Hauteur minimum d'installation - Plaque de cuisson à gaz		mm	650
Hauteur minimum d'installation - Plaque de cuisson électrique		mm	500
Poids net		kg	11 - 12

\* Vitesse maximale (boost exclu).



Cet appareil a été conçu, fabriqué et commercialisé conformément aux directives CEE.

L'information technique est situé dans la plaque signalétique sur le côté interne de l'appareil.



## Efficacité énergétique

Informations sur le produit selon le règlement UE n° 66/2014	Unité	Valeur
Identification du modèle		UNDERVERK 703.891.39 103.939.74
Consommation d'énergie annuelle	kWh/a	38,5
Coefficient d'augmentation dans le temps		0,7
Efficacité fluidodynamique		34,8
Indice d'efficacité énergétique		41,8
Débit d'air mesuré à son meilleur point d'efficacité	m <sup>3</sup> /h	373,0
Pression de l'air mesurée à son meilleur point d'efficacité	Pa	448
Débit d'air maximum	m <sup>3</sup> /h	630,0
Alimentation électrique mesurée à son meilleur point d'efficacité	W	133,5
Puissance nominale du système d'éclairage	W	6
Éclairage moyen du système sur la plaque de cuisson	lux	220
Consommation de courant en mode stand-by	W	N/A
Consommation de courant en mode off	W	0,00
Niveau sonore à la vitesse maximum (sans programmation intensive).	dBA	64

### Normes de référence :


EN/IEC 61591  
EN/IEC 60704-1  
EN/IEC 60704-2-13  
EN/IEC 60704-3  
EN 50564

### Économie d'énergie

L'appareil intègre des caractéristiques qui aident l'économie d'énergie durant la cuisson de tous les jours.


## Aspects environnementaux

### Entretien

- Le symbole  marqué sur le produit ou sur son emballage indique que ce produit ne peut pas être éliminé comme un déchet ménager normal. Ce produit à éliminer doit être remis dans un centre de collecte prévu pour le recyclage du matériel électrique et électronique. En vous assurant que cet appareil est éliminé correctement, vous participerez à prévenir d'éventuelles conséquences négatives pour l'environnement et pour la santé qui, au contraire, pourraient se présenter en cas

d'élimination inappropriée. Pour obtenir des informations plus détaillées sur le recyclage de ce produit, contactez votre municipalité, votre déchetterie locale ou le magasin qui vous a vendu le produit.

### Matériaux d'emballage

Les matériaux marqués du symbole  sont recyclables. Jetez l'emballage dans les conteneurs à déchets spécialement prévus pour leur recyclage.

## GARANTIE IKEA

### Quelle est la durée de validité de la garantie IKEA ?

Cette garantie est valable cinq (5) ans à compter de la date d'achat de votre appareil chez IKEA. L'original du ticket de caisse est indispensable comme preuve de l'achat. Toute réparation effectuée dans le cadre de la garantie n'a pas pour conséquence de prolonger la période de garantie de l'appareil.

### Qui se chargera du service après vente ?

Le service après-vente IKEA se chargera du service par le biais de ses propres services ou du réseau de partenaires autorisés.

### Que couvre cette garantie ?

Cette garantie couvre les dommages dus à des composants défectueux ou des défauts de fabrication survenant après la date d'achat chez IKEA. Cette garantie est valable uniquement lorsque l'appareil est utilisé pour un usage domestique. Les exceptions sont indiquées dans le paragraphe "Qu'est-ce qui n'est pas couvert par la garantie ?"

Pendant la durée de la garantie, les coûts des réparations, des pièces de rechange, de la main-d'œuvre et du déplacement seront pris en charge à condition que l'appareil soit disponible pour réparation sans occasionner de dépenses spéciales et que le dommage soit lié à une défectuosité d'un composant ou à un défaut de fabrication couvert par la garantie. Dans ces conditions, la directive européenne (99/44/CE) et les réglementations locales doivent être appliquées. Les pièces remplacées deviennent la propriété d'IKEA.

### Que fait IKEA en cas de problème ?

Le service après-vente choisi par IKEA examine le produit et décide, à sa seule discrétion, si la défectuosité est couverte par la garantie. Si tel est le cas, le service après-vente IKEA par le biais de ses propres services ou d'un partenaire autorisé, procède alors, à sa seule discrétion, à la réparation du produit défectueux ou à son remplacement par un produit équivalent.



### Qu'est-ce qui n'est pas couvert par la garantie ?

- L'usure normale.
- Les dommages causés délibérément ou par négligence, les dommages résultant du non-respect des instructions d'utilisation, d'une installation incorrecte ou d'un branchement non conforme de l'appareil, les dommages causés par une réaction chimique ou électrochimique, l'oxydation, la corrosion ou un dégât des eaux, incluant sans s'y limiter, les dommages causés par une quantité excessive de calcaire au niveau du raccordement à l'eau, les dégâts résultant de conditions environnementales anormales.
- Les consommables tels que les piles et ampoules.
- Les pièces non fonctionnelles et décoratives, qui n'ont pas d'incidence sur l'utilisation normale de l'appareil, de même que les rayures et éventuelles variations de couleur.
- Les dégâts accidentels causés par une substance ou un corps étranger, le nettoyage ou débouchage de filtres, systèmes d'évacuation ou compartiments de produits de lavage.
- Les dommages constatés sur les éléments suivants : vitrocéramique, accessoires, paniers à vaisselle et à couverts, tuyaux d'alimentation et de vidange, joints, ampoules et diffuseurs, écrans, manettes et touches carrosserie et éléments de la carrosserie. Sauf s'il est possible de prouver que ces dommages ont été causés par des défauts de fabrication.
- Les cas où aucune défectuosité n'a été constatée par le technicien.
- Les réparations qui n'ont pas été effectuées par des techniciens de service après-vente désignés et/ou un partenaire contractuel autorisé ni celles où l'on n'a pas utilisé des pièces d'origine.
- Les dommages résultant d'une installation incorrecte ou non respectueuse des

spécifications d'installation.

- L'utilisation de l'appareil dans un environnement non domestique (par exemple pour un usage professionnel).
- Dommages dus au transport. Si le client transporte le produit chez lui ou à une autre adresse, IKEA ne pourra en aucun cas être tenu responsable des dommages survenant pendant le transport. En revanche, si IKEA livre le produit à l'adresse de livraison du client, tout endommagement du produit survenant en cours de transport sera couvert par la présente garantie.
- Frais d'installation initiale de l'appareil IKEA. En revanche, si un fournisseur de service après-vente IKEA ou son partenaire autorisé répare ou remplace l'appareil aux termes de la présente garantie, le fournisseur de service après-vente ou son partenaire autorisé réinstallera l'appareil réparé ou installera l'appareil de remplacement, selon le cas.

Cette restriction ne concerne pas les cas où un service après vente qualifié a travaillé sans faire d'erreur et en utilisant les pièces d'origine afin d'adapter l'appareil aux normes de sécurité techniques d'un autre pays de l'Union européenne.

### Application de la garantie légale

La garantie IKEA vous donne des droits spécifiques, qui couvrent ou dépassent toutes les exigences légales locales qui peuvent varier d'un pays à l'autre.

### Zone de validité

Pour les appareils achetés dans un pays de l'Union européenne et transportés dans un autre pays de l'Union européenne, les services seront fournis dans le cadre des conditions de garantie valables dans ce dernier. L'obligation de fournir des services dans le cadre de la garantie n'existe que si :

- l'appareil est conforme et installé conformément aux spécifications techniques du pays dans lequel la demande de garantie

est effectuée ;

- l'appareil est conforme et installé conformément aux instructions de montage et consignes de sécurité indiquées dans la notice d'utilisation ;

### **Service après-vente dédié aux appareils IKEA :**

N'hésitez pas à contacter le Service après-vente IKEA pour :

1. effectuer une réclamation dans le cadre de cette garantie ;
2. demander une précision pour installer votre appareil IKEA dans des meubles de cuisine IKEA. Le service après-vente ne fournira pas de précision en ce qui concerne :
  - l'installation d'ensemble de la cuisine IKEA ;
  - les raccordements électriques (si l'appareil est fourni sans prise et sans câble), à l'eau et au gaz car ils doivent être effectués par un professionnel qualifié.
3. la demande de précisions sur le contenu de la notice d'utilisation et les caractéristiques de l'appareil IKEA.

Pour que nous puissions vous fournir la meilleure assistance, lisez attentivement les instructions de montage et/ou le chapitre concerné de la présente notice d'utilisation avant de nous contacter.

### **Comment nous contacter en cas de besoin ?**



Vous trouverez la liste complète des contacts de service après-vente choisis par IKEA et leurs numéros de téléphone respectifs à la fin de cette notice.

**Important** Pour que nous puissions vous fournir un service rapide et compétent, nous vous conseillons d'utiliser les numéros de téléphone spécifiques indiqués à la fin de cette notice. Vous trouverez tous les numéros de téléphone utiles dans la notice d'utilisation correspondant à votre appareil.

Avant de nous appeler, cherchez et conservez à portée de main le numéro de l'article IKEA (code à 8 chiffres) correspondant à l'appareil pour lequel vous avez besoin d'assistance.

### **Important CONSERVEZ VOTRE TICKET DE CAISSE !**

C'est votre preuve d'achat ; il vous sera demandé pour tout appel sous garantie. Veuillez noter que le ticket de caisse contient aussi le nom et le numéro de l'article IKEA (code à 8 chiffres) de chaque appareil acheté.

### **Avez-vous besoin d'aide supplémentaire ?**

Pour toute question supplémentaire non liée au Service après-vente de vos appareils, veuillez contacter votre magasin IKEA le plus proche. Nous vous recommandons de lire attentivement la notice d'utilisation de l'appareil avant de nous contacter.

## GARANTIE IKEA - FRANCE

### CONTRAT DE GARANTIE ET DE SERVICE APRES-VENTE IKEA

Décret n° 87-1045 relatif à la présentation des écrits constatant les contrats de garantie et de service après-vente (J.O.R.F. du 29 décembre 1987) Préalablement à la signature du bon de commande, le vendeur indiquera à l'acheteur les installations nécessaires pour assurer le branchement de l'appareil selon les règles de l'art.

**Numéros de modèle et de série** (Reporter ici le numéro d'identification porté sur l'étiquette code barre du produit)

**Modèle :**

**N° de série :**

**Date d'achat** (Reporter ici la date d'achat portée sur votre ticket de caisse) :

Le vendeur est tenu de fournir une marchandise conforme à la commande.

#### Livraison et mise en service

Livraison à domicile ; oui, si demandée par le client (selon modalités définies et mentionnées sur la facture d'achat ou le bon de commande).

Gratuite : non (tarif et modalités disponibles en magasin et fournis au client au moment de la commande ou de l'achat). Mise en service : non.

En cas de défauts apparents ou d'absence de notice d'emploi et d'entretien, l'acheteur a intérêt à les faire constater par écrit par le vendeur ou le livreur lors de l'enlèvement de la livraison ou de la mise en service.

#### Garantie Légale (sans supplément de prix)

A la condition que l'acheteur fasse la preuve du défaut caché, le vendeur doit légalement en réparer toutes les conséquences (art.1641 et suivants du Code Civil). Si l'acheteur s'adresse aux tribunaux, il doit le faire dans un délai de deux ans à compter de la découverte du défaut caché (art.1648 du Code Civil).

**Nota** En cas de recherche de solutions amiables préalablement à toute action en justice, il est rappelé qu'elles n'interrompent pas le délai de prescription.

La réparation des conséquences du défaut caché, lorsqu'il a été prouvé, comporte, selon la jurisprudence :

- soit la réparation totalement gratuite de l'appareil, y compris les frais de main d'œuvre et de déplacement au lieu de lamise en service ;
- soit son remplacement ou le remboursement total ou partiel de son prix au cas où l'appareil serait totalement ou partiellement inutilisable ;
- et l'indemnisation du dommage éventuellement causé aux personnes ou aux biens par le défaut de l'appareil. La garantie légale due par le vendeur n'exclut en rien la garantie légale due par le constructeur.

#### Litiges éventuels

En cas de difficulté vous avez la possibilité, avant toute action en justice, de rechercher une solution amiable, notamment avec l'aide :

- d'une association de consommateurs ;
- ou d'une organisation professionnelle de la branche ;
- ou de tout autre conseil de votre choix.

Il est rappelé que la recherche d'une solution amiable n'interrompt pas le délai de deux ans de l'art.1648 du Code Civil. Il est aussi rappelé qu'en règle générale et sous réserve de l'appréciation des tribunaux, le respect des dispositions de la présente garantie contractuelle suppose :

- Que l'acheteur honore ses engagements financiers envers le vendeur ;
- Que l'acheteur utilise l'appareil de façon normale (Voir la notice d'emploi et d'entretien et les conditions d'application de la garantie contractuelle) ;
- Que pour les opérations nécessitant une haute technicité aucun tiers non agréé par le vendeur ou le constructeur n'intervienne pour réparation sur l'appareil (sauf cas de force majeure ou carence prolongée du vendeur).

**Garantie contractuelle IKEA**

PRIX : rien à payer en sus. DUREE : 5 (cinq) ans.

POINT DE DEPART : à compter de la date d'achat chez IKEA. RÉPARATION DE L'APPAREIL :

- remplacement des pièces, main-d'œuvre, déplacement, transport des pièces ou de l'appareil : oui
- garantie des pièces remplacées : non
- délai d'intervention : fonction du type de réparation et porté à la connaissance de l'acheteur avant intervention.

REPLACEMENT OU REMBOURSEMENT DE L'APPAREIL (en cas d'impossibilité de réparation recon nue par le vendeur et le constructeur) : oui Pour mettre en œuvre le service après-vente en cas de panne couverte par la garantie contractuelle, ou pour obtenir des informations techniques pour la mise en service ou le bon fonctionnement de l'appareil, contacter IKEA au numéro de téléphone respectif, suivant le pays, indiqué à la fin de cette notice et correspondant à votre appareil.

**Conservez votre preuve d'achat avec le document de garantie, ils vous seront nécessaires pour la mise en œuvre de la garantie.**

**CONDITIONS DE GARANTIE CONTRACTUELLE IKEA****Quelle est la durée de validité de la garantie ?**

La présente garantie est valable cinq (5) ans à compter de la date d'achat chez IKEA d'un appareil électroménager de l'assortiment cuisines, à l'exception des appareils LAGAN qui sont garantis pour une durée de deux (2) ans. L'original du ticket de caisse, de la facture ou du bon de livraison en cas de vente à distance sera exigé comme preuve de l'achat. Conservez-le dans un endroit sûr.

La réparation ou le remplacement du produit défectueux n'a pas pour conséquence de prolonger la durée initiale de garantie. Toutefois, conformément à l'art. L.211-16 du Code de la Consommation, toute période d'immobilisation du produit, pour une remise en état couverte par la garantie, d'au moins sept jours vient s'ajouter à la durée de la garantie qui restait à courir à la date de la demande d'intervention du consommateur ou de la mise à disposition pour réparation du bien en cause, si cette mise à disposition est postérieure à

la demande d'intervention.

**Quels sont les appareils électroménagers couverts par la garantie ?**

La garantie IKEA de cinq (5) ans couvre tous les appareils électroménagers de l'assortiment cuisines, hors appareils de la série LAGAN qui sont garantis pour une durée de deux (2) ans, achetés chez IKEA à compter du 1er août 2007.

**Qui est couvert par la garantie ?**

La présente garantie concerne l'acheteur agissant en qualité de consommateur à compter de la date d'achat du produit.

**Qui exécutera les prestations dans le cadre de la garantie ?**

Le prestataire de services désigné par IKEA fournira l'assistance de son réseau de réparateurs agréés pour vous servir dans le cadre de cette garantie. Pour la mise en œuvre, veuillez vous reporter à la rubrique « Comment nous joindre ».

**Que couvre cette garantie ?**

La présente garantie IKEA couvre les défauts de construction et de fabrication susceptibles de nuire à une utilisation normale, à compter de la date d'achat chez IKEA par le client. Elle ne s'applique que dans le cadre d'un usage domestique.

Les exclusions sont reprises dans la section "Qu'est-ce qui n'est pas couvert dans le cadre de cette garantie ?" Les présentes conditions de garantie couvrent les frais de réparation, de pièces de rechange, de main d'œuvre et de déplacement du personnel à domicile pendant une période de cinq (5) ans, ramenée à deux (2) ans sur la série LAGAN, à compter de la date d'achat chez IKEA, sous réserve que les défauts soient couverts et à condition que l'appareil soit disponible pour réparation sans occasionner de dépenses spéciales. Voir aussi "Rappel des dispositions légales". Les pièces remplacées deviennent la propriété de IKEA. Ces dispositions ne s'appliquent pas aux réparations effectuées sans autorisation du prestataire de services IKEA.

### Que ferons-nous pour remédier au problème ?

Dans le cadre de cette garantie, le prestataire de service désigné par IKEA, examinera le produit. Si après vérification, et hormis mise en œuvre de la garantie légale, il est reconnu que votre réclamation est couverte par la présente garantie contractuelle, il sera procédé à la réparation du produit défectueux, ou en cas d'impossibilité de réparation, à son remplacement par le même article ou par un article de qualité et de technicité comparable. Compte tenu des évolutions technologiques, l'article de remplacement de qualité équivalente peut être d'un prix inférieur au modèle acheté. Si aucun article équivalent n'est disponible, et en cas d'impossibilité totale ou partielle de réparation reconnue par le prestataire de IKEA ou son représentant agréé, sous réserve que les conditions d'application de la garantie soient remplies, IKEA procédera au remboursement total ou partiel de l'appareil reconnu défectueux. Le prestataire de service désigné par IKEA s'engage à tout mettre en œuvre pour apporter une solution rapide et satisfaisante dans le cadre de cette garantie mais ni IKEA, ni le prestataire ne sauraient être tenus pour responsables des cas de forces majeurs, tels que définis par la jurisprudence, susceptibles d'empêcher l'application correcte de la garantie.

### Qu'est-ce qui n'est pas couvert dans le cadre de la présente garantie ?

- L'usure normale et graduelle inhérente aux appareils électroménagers, compte tenu de la durée de vie et du comportement communément admis pour des produits semblables.
- Les dommages engageant la responsabilité d'un tiers ou résultant d'une faute intentionnelle ou dolosive.
- Les dommages résultant du non respect des consignes d'utilisation, d'une mauvaise installation non conforme aux instructions du fabricant et/ou aux règles de l'art, notamment en matière de raccordement au réseau électrique, ou aux arrivées d'eau ou de gaz qui requièrent l'intervention d'un professionnel qualifié.
- Les dommages tels que, entre autres, le vol, la chute ou le choc d'un objet, l'incendie, la décoloration à la lumière, les brûlures, l'humidité ou

la chaleur sèche excessive ou toute autre condition environnementale anormale, les coupures, les éraflures, toute imprégnation par un liquide, les réactions chimiques ou électrochimiques, la rouille, la corrosion, ou un dégât des eaux résultant entre autres, d'un taux de calcaire trop élevé dans l'eau d'approvisionnement.

- Les pièces d'usure normale dites pièces consommables, comme par exemple les piles, les ampoules, les filtres, les joints, tuyaux de vidange, etc. qui nécessitent un remplacement régulier pour le fonctionnement normal de l'appareil.
- Les dommages aux éléments non fonctionnels et décoratifs qui n'affectent pas l'usage normal de l'appareil, notamment les rayures, coupures, éraflures, décoloration.
- Les dommages accidentels causés par des corps ou substances étrangers et par le nettoyage et déblocage des filtres, systèmes d'évacuation ou compartiments pour détergent.
- Les dommages causés aux pièces suivantes : verre céramique, accessoires, paniers à vaisselle et à couverts, tuyaux d'alimentation et d'évacuation, joints, lampes et protections de lampes, écrans, boutons et poignées, châssis et parties de châssis.
- Les frais de transport de l'appareil, de déplacement du réparateur et de main d'œuvre relatif à un dommage non garanti ou non constaté par le réparateur agréé.
- Les réparations effectuées par un prestataire de service et /ou un partenaire non agréés, ou en cas d'utilisation de pièces autres que des pièces d'origine, toute réparation de fortune ou provisoire restant à la charge du client qui supporterait en outre, les conséquences de l'aggravation éventuelle du dommage en résultant.
- L'utilisation en environnement non domestique, par exemple usage professionnel ou collectif, ou dans un lieu public.
- Les dommages liés au transport lorsque l'appareil est emporté par le client lui-même ou un prestataire de transport qu'il a lui-même désigné. Lorsque l'appareil est livré par IKEA, les

dommages résultant du transport seront pris en charge par IKEA. Le client doit vérifier ses colis et porter IMPÉRATIVEMENT sur le bon de livraison des RESERVES PRÉCISES : indication du nombre de colis manquants et/ou endommagés, et description détaillée du dommage éventuel (emballage ouvert ou déchiré, produit détérioré ou manquant, etc.)

- Les coûts d'installation initiaux. Toutefois, si le prestataire de service ou son partenaire agréé procède à une réparation ou un remplacement d'appareil selon les termes de la présente garantie, le prestataire de service ou son partenaire agréé ré-installeront le cas échéant l'appareil réparé ou remplacé.

La garantie reste toutefois applicable aux appareils ayant fait l'objet d'une adaptation dans le respect des règles de l'art par un spécialiste qualifié avec des pièces d'origine du fabricant pour une mise en conformité de l'appareil aux spécifications techniques d'un autre pays membre de l'Union Européenne.

### Rappel des dispositions légales :

Le fabricant s'engage à garantir la conformité des biens au contrat ainsi que les éventuels vices cachés, conformément aux dispositions légales figurant ci-après, sans que cela ne fasse obstacle à la mise en œuvre de la garantie commerciale ci-dessus consentie lorsque celle-ci est plus étendue que la garantie légale.

#### « Garantie légale de conformité » (extrait du code de la consommation)

- Art. L. 211-4. « Le vendeur est tenu de livrer un bien conforme au contrat et répond des défauts de conformité existant lors de la délivrance. Il répond également des défauts de conformité résultant de l'emballage, des instructions de montage ou de l'installation lorsque celle-ci a été mise à sa charge par le contrat ou a été réalisée sous sa responsabilité. »
- Art. L. 211-12. « L'action résultant du défaut de conformité se prescrit par deux ans à compter de la délivrance du bien. »
- Art. L. 211-5. « Pour être conforme au contrat, le bien doit :

1° Être propre à l'usage habituellement attendu d'un bien semblable et, le cas échéant :

- correspondre à la description donnée par le vendeur et posséder les qualités que celui-ci a présentées à l'acheteur sous forme d'échantillon ou de modèle ;
- présenter les qualités qu'un acheteur peut légitimement attendre eu égard aux déclarations publiques faites par le vendeur, par le producteur ou par son représentant, notamment dans la publicité ou l'étiquetage ;

2° Ou présenter les caractéristiques définies d'un commun accord par les parties ou être propre à tout usage spécial recherché par l'acheteur, porté à la connaissance du vendeur et que ce dernier a accepté. »

#### « De la garantie des défauts de la chose vendue » (extrait du code civil)

- Art. 1641. « Le vendeur est tenu de la garantie à raison des défauts cachés de la chose vendue qui la rendent impropre à l'usage auquel on la destine, ou qui diminuent tellement cet usage, que l'acheteur ne l'aurait pas acquise, ou n'en aurait donné qu'un moindre prix, s'il les avait connus. »
- Art. 1648 (1er alinéa). « L'action résultant des vices rédhibitoires doit être intentée par l'acquéreur dans un délai de deux ans à compter de la découverte du vice. »

**Où s'applique la présente garantie ?** Sous réserve de conformité aux spécifications techniques et réglementations applicables et propres à chaque pays le cas échéant, les garanties pourront être exercées auprès de l'organisation IKEA locale du pays où le produit est utilisé sur tout le territoire de l'Union Européenne (hors DOM et TOM). Les conditions de garantie, étendues et limites, sont celles applicables sur le marché local. Il est recommandé de se les procurer auprès de l'organisation IKEA locale.

### Le Service Après-Vente applicable à vos appareils électroménagers IKEA:

N'hésitez pas à contacter le Service Après-Vente IKEA pour :

1. requérir la mise en oeuvre du service dans le cadre de cette garantie contractuelle ;
2. obtenir des conseils pour l'installation de l'appareil IKEA dans un meuble de cuisine IKEA prévu à cet effet. Le service n'inclut toutefois pas les informations relatives :
  - au montage et à l'installation d'une cuisine complète IKEA;
  - au raccordement au réseau électrique (lorsque l'appareil est fourni sans prise ni câble) et aux arrivées d'eau et de gaz, qui requièrent l'intervention d'un professionnel qualifié
3. obtenir des informations relatives au contenu du manuel utilisateur et aux spécifications de l'appareil IKEA pour un bon fonctionnement de celui-ci.

Pour pouvoir vous apporter la meilleure assistance, assurez-vous d'avoir lu attentivement les instructions de montage et/ou le manuel de l'utilisateur avant de nous contacter.

### Comment nous joindre pour la mise en oeuvre de la présente garantie ?



Consultez la dernière page de ce livret pour la liste complète des numéros de téléphone respectifs par pays des contacts désignés par IKEA.

**Important** Dans le but de vous fournir un service rapide, veuillez utiliser uniquement le numéro de téléphone spécifique à votre pays, donné dans la liste en dernière page de ce livret de garantie. Pour la mise en oeuvre de la garantie, il faut toujours se reporter à la liste des numéros de téléphone repris dans le livret fourni avec l'appareil IKEA correspondant.

Avant de nous appeler, assurez vous de disposer à portée de main la référence IKEA (code à 8 chiffres) correspondant à l'appareil pour lequel vous avez besoin d'assistance.

### Important CONSERVEZ IMPERATIVEMENT L'ORIGINAL DE VOTRE TICKET DE CAISSE, FACTURE OU BON DE LIVRAISON AVEC LE LIVRET DE GARANTIE !

Ils vous seront nécessaires comme preuve de l'achat pour vous permettre de bénéficier de la présente garantie, et pour retrouver facilement la désignation et la référence IKEA (code à 8 chiffres) de chaque appareil acheté.


### Besoin d'aide supplémentaire ?

Si vous avez des questions supplémentaires sur les conditions d'application des garanties IKEA (étendues et limites, produits couverts), adressez-vous à votre magasin IKEA le plus proche. Adresse et horaires sur le site [www.IKEA.fr](http://www.IKEA.fr), dans le catalogue IKEA ou par téléphone au 0825 10 3000 (0,15€/ mn).

## Indice

Informazioni sulla sicurezza	48	Dati tecnici	56
Descrizione del prodotto	52	Efficienza energetica	57
Pulizia e manutenzione	53	Aspetti ambientali	58
Cosa fare se...	55	GARANZIA IKEA	58

## Informazioni sulla sicurezza

 Per la propria sicurezza e il corretto funzionamento dell'apparecchio, si prega di leggere attentamente questo manuale prima dell'installazione e della messa in funzione. Tenere queste istruzioni sempre insieme all'apparecchio, anche in caso di cessione o trasferimento a terzi. È importante che gli utilizzatori conoscano tutte le caratteristiche di funzionamento e sicurezza dell'apparecchio.


 Il collegamento dei cavi deve essere effettuato da un tecnico competente.

- Il fabbricante non potrà ritenersi responsabile per eventuali danni risultanti da un'installazione o utilizzazione impropria.
- La distanza minima di sicurezza tra il piano cottura e la cappa aspirante è di 500 mm per le cappe di cucine elettriche e di 650 mm per le cappe di cucine a gas.
- Se le istruzioni di installazione del piano cottura a gas specificano una distanza maggiore di quella sopra indicata, è necessario tenerne conto.
- Controllare che la tensione di rete corrisponda a quella indicata sulla targa dati applicata all'interno della cappa.
- I dispositivi di sezionamento devono essere installati nell'impianto fisso in conformità alle normative sui sistemi di cablaggio.
- Per gli apparecchi di Classe I, controllare che la rete di alimentazione domestica disponga di un adeguato collegamento a massa.
- Collegare l'aspiratore alla canna fumaria con un tubo di diametro




minimo di 120 mm. Il percorso dei fumi deve essere il più corto possibile.

- Non collegare la cappa aspirante ai condotti fumari che trasportano fumi di combustione (per es. di caldaie, camini ecc.).
- Se l'aspiratore è utilizzato in combinazione con apparecchi non elettrici (per es. apparecchi a gas), deve essere garantito un sufficiente grado di aerazione nel locale per impedire il ritorno di flusso dei gas di scarico. Quando la cappa per cucina è utilizzata in combinazione con apparecchi non alimentati dalla corrente elettrica, la pressione negativa nel locale non deve superare 0,04 mbar per evitare che i fumi vengano riaspirati nel locale dalla cappa.
- L'aria non deve essere evacuata attraverso un condotto utilizzato per lo scarico dei fumi da apparecchi di combustione alimentati a gas o altri combustibili.
- Il cavo di alimentazione, se danneggiato, deve essere sostituito dal fabbricante o da un tecnico del servizio assistenza.
- Collegare la spina ad una presa di tipo conforme alle normative vigenti e in posizione accessibile.
- Relativamente alle misure tecniche e di sicurezza da adottare per lo scarico dei fumi è importante attenersi scrupolosamente ai regolamenti stabiliti dalle autorità locali.

 **AVVERTENZA:** Prima di installare la cappa, rimuovere le pellicole di protezione.

- Usare solo viti e minuteria di tipo idoneo per la cappa.

 **AVVERTENZA:** La mancata installazione delle viti o dei dispositivi di fissaggio in conformità alle presenti istruzioni può comportare rischi di scosse elettriche.

- Collegare la cappa alla rete di alimentazione elettrica mediante un interruttore bipolare con distanza tra i contatti di almeno 3 mm.
- Non osservare direttamente con strumenti ottici (binocolo, lente d'ingrandimento....).
- Non cuocere al flambé sotto la cappa: si potrebbe sviluppare un

incendio.

- Questo apparecchio può essere utilizzato da bambini di età non inferiore a 8 anni e da persone con ridotte capacità psico-fisico-sensoriali o con esperienza e conoscenze insufficienti, purché attentamente sorvegliati e istruiti su come utilizzare in modo sicuro l'apparecchio e sui pericoli che ciò comporta. Assicurarli che i bambini non giochino con l'apparecchio. Pulizia e manutenzione da parte dell'utente non devono essere effettuate da bambini, a meno che non siano sorvegliati.
- Sorvegliare i bambini, assicurandosi che non giochino con l'apparecchio.
- L'apparecchio non deve essere utilizzato da persone (bambini compresi) con ridotte capacità psico-fisico-sensoriali o con esperienza e conoscenze insufficienti, a meno che non siano attentamente sorvegliate e istruite



Le parti accessibili possono diventare molto calde durante l'uso degli apparecchi di cottura.

- Pulire e/o sostituire i filtri dopo il periodo di tempo specificato (pericolo di incendio).
- Deve essere presente un'adeguata ventilazione nel locale quando la cappa è utilizzata contemporaneamente ad apparecchi che utilizzano gas o altri combustibili (non applicabile ad apparecchi che scaricano unicamente l'aria nel locale).

**Uso**

- Spegnere o scollegare l'apparecchio dalla rete di alimentazione prima di qualunque operazione di pulizia o manutenzione.
- La cappa non deve essere utilizzata come piano d'appoggio.
- La cappa aspirante è progettata esclusivamente per l'uso domestico allo scopo di eliminare gli odori dalla cucina.
- Non usare mai la cappa per scopi diversi da quelli per cui è stata progettata.
- Non lasciare mai fiamme alte sotto la cappa quando è in funzione.
- Regolare l'intensità della fiamma in modo da dirigerla esclusivamente verso il fondo del recipiente di cottura, assicurandosi che non ne avvolga i lati.

Le friggitorici devono essere costantemente controllate durante l'uso: l'olio surriscaldato potrebbe incendiarsi.

**Modalità di installazione**

La cappa è stata progettata per l'installazione e l'uso in "versione aspirante" o in "versione a ricircolo d'aria".

**Versione aspirante (vedere il simbolo**

**nelle istruzioni di installazione)**

Il vapore di cottura viene aspirato e convogliato al di fuori dell'abitazione attraverso un tubo di scarico (non in dotazione) installato all'uscita del vapore della cappa.

Assicurarsi che il tubo di scarico sia correttamente installato all'uscita dell'aria, utilizzando un sistema di collegamento idoneo.

**Versione a ricircolo d'aria (vedere**

**il simbolo nelle istruzioni di installazione)**

L'aria viene filtrata attraverso uno o più filtri e poi convogliata nuovamente nel locale.

**Importante:** Assicurarsi che vi sia una corretta circolazione dell'aria attorno alla cappa.

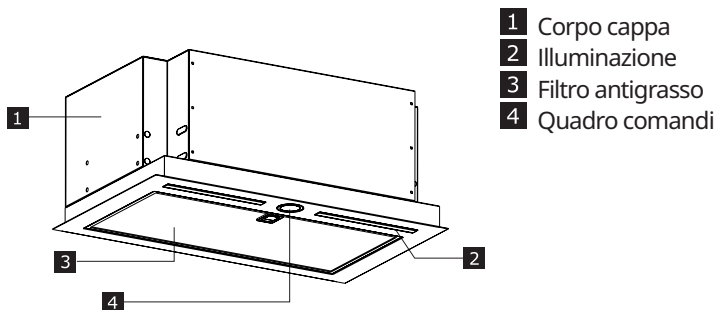
**Importante:** Se la cappa non ha in dotazione i filtri al carbone, questi devono essere ordinati e montati prima dell'uso dell'apparecchio. I filtri sono reperibili in commercio.

La cappa deve essere installata lontano da aree particolarmente sporche, finestre, porte e fonti di calore.

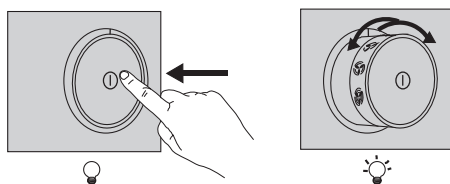
Gli accessori per il fissaggio a parete non sono inclusi perché variano a seconda del materiale della parete. Utilizzare sistemi di fissaggio idonei alle pareti della propria abitazione e al peso dell'apparecchio. Per informazioni più dettagliate, contattare un rivenditore specializzato.

Conservare queste istruzioni per future consultazioni.

## Descrizione del prodotto



## Pannello Comandi



<b>Luci</b>	Per accendere le luci, spingere la manopola e rilasciarla in modo che fuoriesca dalla sua sede. Per spegnere le luci respingere la manopola verso l'interno, riportandola nella posizione di interruttore spento.
<b>Regolazione Velocità Motore</b>	Spingere la manopola e rilasciarla in modo che fuoriesca dalla sua sede, ruotare la manopola per scegliere una delle velocità di aspirazione disponibili.

## Suggerimenti generali

- Azionare la cappa a velocità minima quando si inizia a cucinare e mantenerla in funzione per alcuni minuti dopo il termine della cottura.
- Aumentare la velocità solo in presenza di grandi quantità di fumo e vapore e usare la(e) velocità intensiva(e) solo in situazioni estreme.
- Sostituire il filtro o i filtri al carbone quando necessario per mantenere una buona efficienza di abbattimento degli odori.
- Pulire il filtro o i filtri antigrasso quando necessario per mantenere una buona efficienza di assorbimento dei grassi.
- Usare il diametro massimo della canalizzazione indicato in questo manuale per ottimizzare l'efficienza e ridurre al minimo il rumore.

## Pulizia e manutenzione



Spegnere o scollegare l'apparecchio dalla rete di alimentazione prima di qualunque operazione di pulizia o manutenzione.

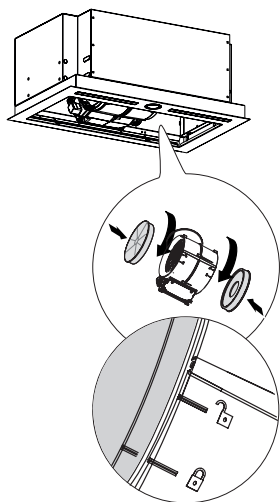
**IMPORTANTE** Pulire la cappa utilizzando un panno umido e un detergente liquido neutro.

### Filtro al carbone a lunga durata (verde)

Il filtro antiodori può essere lavato e rigenerato ogni 3-4 mesi (o più frequentemente se la cappa è sottoposta a un uso intensivo), fino a un massimo di 8 cicli di rigenerazione (in caso d'uso particolarmente intensivo si raccomanda di non superare i 5 cicli).

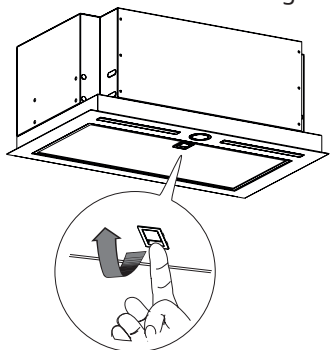
### Procedura di rigenerazione:

- Lavare in lavastoviglie a una temperatura MAX di 70° o lavare a mano in acqua calda senza usare spugne abrasive (non usare detersivi!).
- Asciugare in forno a una temperatura MAX di 70° per 2 ore (si raccomanda di leggere attentamente il manuale d'uso e le istruzioni di montaggio del proprio forno).



**Filtri antigrasso**

Continuare a pulire o sostituire i filtri agli intervalli di tempo indicati al fine di mantenere la cappa in buono stato di funzionamento ed evitare il potenziale rischio di incendio a causa di un accumulo eccessivo di grasso. I filtri antigrasso devono essere puliti ogni 2 mesi di funzionamento o più frequentemente in caso di utilizzo molto intenso e possono essere lavati in lavastoviglie.

**Sostituzione delle lampade**

Per la sostituzione contattare un Centro Assistenza Autorizzato.

## Cosa fare se...

In presenza di un guasto, cercare per prima cosa di trovare una soluzione da soli. Se non si riesce a trovare da soli una soluzione al problema, contattare un centro di assistenza autorizzato

**i** In caso di utilizzo improprio dell'apparecchio o di installazione effettuata non rispettando le istruzioni di montaggio, potrebbe essere necessario pagare la visita del tecnico del Servizio Assistenza anche durante il periodo di validità della garanzia.

PROBLEMA	POSSIBILE CAUSA	SOLUZIONE
L'apparecchio non è stabile	L'apparecchio non è stato installato correttamente	Seguire le istruzioni di installazione fornite insieme all'apparecchio.
L'apparecchio non è in piano	L'apparecchio non è stato installato correttamente	Seguire le istruzioni di installazione fornite insieme all'apparecchio.
Le prestazioni in termini di cattura dei grassi non sono soddisfacenti	Presenza di olio e grasso sui filtri in metallo o sui filtri al carbone.	Osservare la frequenza di pulizia dei filtri come descritto nel manuale d'uso
L'apparecchio non funziona	L'apparecchio non è stato collegato correttamente	Verificare che il cavo di rete sia collegato al gruppo motore o che la spina sia collegata alla presa
La luce non funziona	Il LED è rotto	Per la sostituzione contattare un Centro Assistenza Autorizzato.
La cappa è più rumorosa rispetto alle aspettative del cliente.	Il diametro dello sfianto dell'aria nella parete è troppo piccolo e provoca la perdita di pressione e l'aumento di velocità del motore.	Seguire le istruzioni di installazione fornite insieme all'apparecchio.
	Il prodotto è installato in modalità di ricircolo.	Il prodotto in modalità di ricircolo (e con filtro al carbone montato) è più rumoroso di un prodotto in modalità aspirante.
	Il condotto di ventilazione presenta più di una curva.	Se il sistema di evacuazione fumi dell'edificio presenta molteplici curve o copre una lunga distanza, il prodotto può risultare più rumoroso.

### Prima di contattare il Centro Assistenza Autorizzato:

Riaccendere l'apparecchio per vedere se il problema è scomparso. In caso contrario, rispettarlo e ripetere l'operazione dopo un'ora.

Se l'apparecchio ancora non funziona correttamente dopo aver effettuato i controlli elencati nella guida alla risoluzione dei guasti e riaccesso l'apparecchio, contattare il Centro Assistenza Autorizzato spiegando chiaramente il problema e specificando:

- il tipo di guasto;
- il modello;
- il tipo e il numero di serie dell'apparecchio (indicato sulla targhetta).

## Dati tecnici

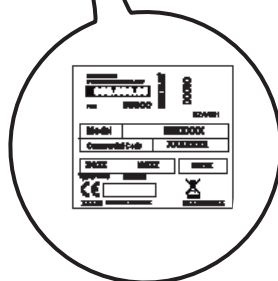
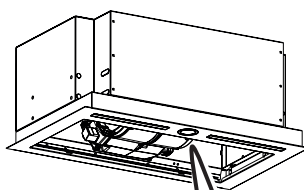
		Unità	Valore
Tipo di prodotto			Cappa integrata
Dimensioni	Larghezza	mm	599 / 799
	Profondità	mm	358
	Altezza min./max	mm	245
Portata d'aria max* - Scarico		m3/h	630
Livello max di rumore - Scarico		dBA	64
Portata d'aria max*- Ricircolo		m3/h	365
Livello max di rumore* - Ricircolo		dBA	79
Potenza totale		W	256
Informazioni sulla lampada	Tipo		BARRA LED
	Numero e potenza		2 x 3W
	Attacco		N/D
Altezza minima di installazione - piano cottura a gas		mm	650
Altezza minima di installazione - piano cottura elettrico		mm	500
Peso netto		Kg	11 - 12

\* Velocità massima (intensiva esclusa).



Questo apparecchio è stato progettato, fabbricato e commercializzato in conformità alle Direttive CEE.

Le informazioni tecniche si trovano nell'etichetta sul lato interno dell'apparecchio.





## Efficienza Energetica

Informazioni sul prodotto secondo il regolamento UE n° 66/2014	Unità	Valore
Identificativo del modello		UNDERVERK 703.891.39 103.939.74
Consumo energetico annuale	kWh/a	38,5
Coefficiente di incremento del tempo		0,7
Efficienza fluidodinamica		34,8
Indice di efficienza energetica		41,8
Portata d'aria misurata nel punto di efficienza migliore	m <sup>3</sup> /h	373,0
Pressione dell'aria misurata nel punto di efficienza migliore	Pa	448
Portata d'aria massima	m <sup>3</sup> /h	630,0
Alimentazione elettrica misurata nel punto di efficienza migliore	W	133,5
Potenza nominale del sistema di illuminazione	W	6
Illuminazione media del sistema di illuminazione sul piano cottura	lux	220
Consumo di corrente misurato in modalità standby	W	N/D
Consumo di corrente misurato in modalità off	W	0,00
Livello sonoro a velocità massima (senza impostazione intensiva)	dBA	64

### Riferimenti normativi:

EN/IEC 61591  
EN/IEC 60704-1  
EN/IEC 60704-2-13  
EN/IEC 60704-3  
EN 50564

### Risparmio energetico

L'apparecchio contiene le caratteristiche che ti aiutano a risparmiare energia durante la cottura di tutti i giorni.


## Aspetti ambientali

### Manutenzione

- Il simbolo  sul prodotto o sulla sua confezione indica che il prodotto non può essere smaltito come un normale rifiuto domestico. Il prodotto da smaltire deve essere conferito presso un apposito centro di raccolta per il riciclaggio dei componenti elettrici ed elettronici. Assicurandosi che questo prodotto sia smaltito correttamente, si contribuirà a prevenire potenziali conseguenze negative per l'ambiente e per la salute che potrebbero altrimenti derivare dal suo smaltimento

inadeguato. Per informazioni più dettagliate sul riciclaggio di questo prodotto, contattare il Comune, il servizio locale di smaltimento rifiuti oppure il negozio dove è stato acquistato il prodotto.

### Materiali d'imballaggio

I materiali con il simbolo  sono riciclabili. Smaltire l'imballaggio in appositi contenitori di raccolta per il riciclaggio.

## GARANZIA IKEA

### Per quanto è valida la garanzia IKEA?

Questa garanzia è valida per cinque (5) anni dalla data originale di acquisto dell'apparecchio presso IKEA. Lo scontrino originale è indispensabile come ricevuta d'acquisto. Una riparazione effettuata nell'ambito della garanzia non estende il periodo di garanzia per l'apparecchio.

### Chi fornisce il servizio ai clienti?

L'assistenza ai clienti sarà garantita dal fornitore del servizio nominato da IKEA attraverso la propria organizzazione o la propria rete di partner di assistenza autorizzata ti.

### Cosa copre la garanzia?

La garanzia copre gli eventuali difetti legati ai materiali e o alla costruzione dell'elettrodomestico ed è valida a partire dalla data di acquisto dell'elettrodomestico presso un punto vendita IKEA. La garanzia è valida solo su elettrodomestici destinati all'impiego domestico. Le eccezioni sono descritte alla voce "Cosa non copre la garanzia". Nel periodo di validità della garanzia, il fornitore

del servizio nominato da IKEA sosterrà i costi per la riparazione, i pezzi di ricambio, la manodopera e le trasferte del personale di manutenzione, ammesso che il prodotto possa essere riparato senza costi troppo elevati e che il difetto legato ai materiali o alla costruzione rientri nella copertura della garanzia. Queste condizioni sono conformi alle direttive EU (N. 99/44/CE) e alle norme e disposizioni locali applicabili. Le parti sostituite diventeranno di proprietà di IKEA.

### Come interverrà IKEA per risolvere il problema?

Il fornitore del servizio nominato da IKEA esaminerà il prodotto e deciderà a propria esclusiva discrezione se lo stesso rientra nella copertura della garanzia. In caso affermativo, il fornitore del servizio nominato da IKEA o un suo partner di assistenza autorizzato provvederà a propria esclusiva discrezione a riparare il prodotto difettoso o a sostituirlo con un prodotto uguale o equivalente.

### Cosa non copre la garanzia

- Normale usura.
- Danni provocati deliberatamente o per negligenza e danni provocati dalla mancata osservanza delle istruzioni di funzionamento, da un'installazione non corretta o dal collegamento a un voltaggio errato. Danni provocati da reazioni chimiche o elettrochimiche, ruggine, qualità dell'acqua (per esempio presenza di eccessivo calcare nelle condutture idriche), eventi atmosferici o condizioni ambientali anomale.
- Parti soggette ad usura, per esempio batterie e lampadine.
- Danni a parti decorative e non funzionali che non influiscono sul normale utilizzo dell'elettrodomestico, per esempio graffi e variazioni di colore.
- Danni a parti come vetroceramica, accessori, cesti per stoviglie e posate, tubi di alimentazione e scarico, guarnizioni, lampadine e relative coperture, schermi, pomelli, rivestimenti e parti di rivestimenti o involucri, salvo
- Danni a parti come vetroceramica, accessori, cesti per stoviglie e posate, tubi di alimentazione e scarico, guarnizioni, lampadine e relative coperture, schermi, pomelli, rivestimenti e parti di rivestimenti o involucri, salvo che si possa provare che tali danni siano stati causati da difetti di produzione.
- Casi in cui non siano rilevati difetti durante la visita di un tecnico.
- Riparazioni non effettuate dal fornitore del servizio nominato da IKEA o da un partner di assistenza autorizzato o riparazioni in cui siano state utilizzate parti non originali.
- Riparazioni causate da installazione impropria o non conforme alle specifiche.
- Uso dell'elettrodomestico in ambiente non domestico, per esempio per uso professionale o commerciale.
- Danni dovuti al trasporto. In caso di

trasporto effettuato dal cliente presso la propria abitazione o un altro recapito, IKEA non potrà ritenersi responsabile per eventuali danni verificatisi durante il trasporto. Tuttavia, se il trasporto presso il recapito del cliente è effettuato da IKEA, gli eventuali danni dovuti al trasporto rientreranno nella presente garanzia.

- Costo di installazione iniziale dell'apparecchiatura IKEA. Se un fornitore di servizio nominato da IKEA o un suo partner di assistenza autorizzato effettua una riparazione o sostituzione dell'apparecchiatura nell'ambito della garanzia, il fornitore o il partner di assistenza dovrà provvedere anche alla reinstallazione dell'apparecchiatura riparata o all'installazione dell'apparecchiatura sostitutiva, se necessario.

Tali limitazioni non si applicano a lavori eseguiti a regola d'arte da personale qualificato e con l'uso di parti originali per adattare l'elettrodomestico alle norme di sicurezza di un'altra nazione dell'UE.

### Applicabilità delle leggi nazionali

La garanzia IKEA conferisce al cliente diritti legali specifici in aggiunta ai diritti previsti dalla legge e variabili a seconda dei paesi.

### Area di validità

Per gli elettrodomestici acquistati in una nazione UE e trasferiti in un'altra nazione UE, i servizi saranno forniti in base alle condizioni di garanzia applicabili nella nuova nazione. L'obbligo di fornire il servizio in base alle condizioni della garanzia sussiste solo se:

- l'elettrodomestico è conforme alle specifiche tecniche del paese in cui è richiesta l'applicazione della garanzia;
- l'elettrodomestico è conforme e installato conformemente alle Istruzioni di montaggio e alle informazioni per la sicurezza contenute nel Manuale d'uso;

### Servizio Assistenza dedicato agli elettrodomestici IKEA:

Non esitate a contattare il Servizio Assistenza IKEA per:

1. usufruire della garanzia;
2. chiedere chiarimenti sull'installazione degli elettrodomestici IKEA nei mobili da incasso specifici di IKEA. Il servizio non fornirà assistenza o chiarimenti in merito a:
  - installazione di cucine complete IKEA;
  - collegamenti elettrici (se l'apparecchio è fornito senza cavi e spine), allacciamenti idraulici e collegamenti all'impianto del gas che devono essere eseguiti da un tecnico di assistenza autorizzato.
3. chiedere chiarimenti sul contenuto del manuale d'uso e su specifiche dell'elettrodomestico IKEA.

Per garantirvi la migliore assistenza, Vi preghiamo di leggere attentamente le Istruzioni di montaggio e/o il Manuale d'uso prima di contattarci.

### Come contattarci se avete bisogno del nostro intervento



Consultare l'elenco completo dei fornitori di servizio IKEA e dei relativi numeri di telefono nell'ultima pagina del presente manuale.

**Importante** Per garantirvi un servizio più rapido, raccomandiamo di utilizzare i numeri di telefono elencati alla fine del presente manuale. Quando richiedete assistenza, fate sempre riferimento ai codici specifici dell'elettrodomestico che trovate nel presente manuale. Prima di contattarci, assicuratevi di avere a portata di mano il codice prodotto IKEA (8 cifre) relativo all'elettrodomestico per il quale richiedete assistenza.

### Importante CONSERVATE LO SCONTRINO!

E' la Vostra prova di acquisto ed è necessario esibirlo per poter usufruire della garanzia. Sullo scontrino sono riportati anche il nome e il codice (a 8 cifre) dell'elettrodomestico IKEA che avete acquistato.

#### Vi serve altro aiuto?

Per ulteriori domande non inerenti il servizio assistenza sulle apparecchiature, contattare il più vicino punto vendita IKEA. Vi preghiamo di leggere attentamente la documentazione dell'apparecchiatura prima di contattarci.

Country name in local languages	Telephone number	Opening times
<b>Australia</b>	Victoria: (03) 8523 2154 New South Wales: (02) 5020 6641 Queensland: (07) 3380 6800 IKEA Perth: (08) 9201 4532 IKEA Adelaide: (08) 8154 4532	
<b>Österreich</b>	13602771461	Mo-Fr: 8 - 20
<b>België / Belgique</b>	26200311	Ma-Vr: 8 - 20 / Lun-Ven: 8 - 20
<b>България</b>	02 4003536	Пон-Пт: 8 - 20
<b>Canarias</b>	913754126	Lunes-Viernes: 8 - 20
<b>Κύπρος</b>	<a href="http://www.ikea.com">http://www.ikea.com</a>	8 - 20
<b>Hrvatska</b>	0800 3636	Pon-Pet: 8 - 20
<b>Česká republika</b>	225376400	Po-Pá: 8 - 20
<b>Danmark</b>	70150909	Man.-Fre.: 9 - 20
<b>Eesti</b>	<a href="http://www.ikea.com">http://www.ikea.com</a>	E-R: 8 - 20
<b>Suomi</b>	981710374	Lu-Ve: 8 - 20
<b>France</b>	170480513	Lun-Ven: 9 - 21
<b>Deutschland</b>	6929993602	Mo-Fr: 8 - 20
<b>Great Britain</b>	2076601517	Mon-Fri: 8 - 20
<b>Ελλάδα</b>	2109696497	Δευ-Παρ: 8 - 20
<b>Magyarország</b>	(06-1)-3285308	Hétfő-Péntek: 8 - 20
<b>Italia</b>	+39 0732/691238	Lun-Ven: 8 - 20
<b>Ireland</b>	2076601517	Mon-Fri: 8 - 20
<b>Ísland</b>	5852409	Mánudagur-Föstudagur Kl.: 8 - 20
<b>Latvija</b>	<a href="http://www.ikea.com">http://www.ikea.com</a>	P.- Pk.: 8 - 20
<b>Lietuva</b>	(0) 520 511 35	Pirm.-Penkt.: 8 - 20
<b>Mayorca</b>	913754126	Lunes-Viernes: 8 - 20
<b>Malta</b>	+356 (0)25464000	Mon-Fri: 8 - 20
<b>Norge</b>	23500112	Man-Fre: 8 - 20
<b>Nederland</b>	0900-235 45 32 en/of 0900 BEL IKE	Ma-Vr: 8 - 20
<b>Polska</b>	225844203	Poniedziałek-Piątek: 8 - 20
<b>Portugal</b>	213164011	Seg.-Sex.: 9 - 21
<b>România</b>	021 2044888	Luni-Vineri: 8 - 20
<b>Россия</b>	84957059426	Пон-Пятн: 9 - 21
<b>Србија</b>	011 7 555 444	Пон-Пет: 8 - 20
<b>Slovensko</b>	(02) 50102658	Pon-Pia: 8 - 20
<b>Slovenija</b>	+386-1-8107781	Ponedeljek-Petek: 8 - 20
<b>España</b>	913754126	Lunes-Viernes: 8 - 20
<b>Sverige</b>	0775-700 500	Mån-Fre: 8 - 20
<b>Schweiz / Suisse / Svizzera (Ticino)</b>	225675345	8 bis 20 Werktag / Lun-Ven: 8 - 20
<b>Türkiye</b>	+90/262/644 65 95	Pzt-Cuma: 8 - 20
<b>Україна</b>	<a href="http://www.ikea.com">http://www.ikea.com</a>	Понеділок-П'ятниця: 8 - 20





